



USER'S MANUAL

3.5 & 6.5 CU FT - EPH / EPR SERIES BLASTERS



⚠ WARNING

These products and equipment are not under any circumstances to be used with sand or silica products of any type and use of such materials will void any warranty. Also, as with the use of any product or equipment you must be sure to use the proper safety equipment and to properly train your employees in the use of any equipment or products. The manufacturer, wholesaler and distributor assume no responsibility arising from the failure to use proper safety equipment or the failure to properly train employees in the use of products and equipment.



⚠ WARNING

Read Manual

Failure to read, understand & follow **all** safety and operation procedures in this manual can cause serious injury or death. Manuals that are lost, incomplete, or damaged must be replaced immediately.

Manual P/N: PB-MAE001



⚠️ USING THIS MANUAL ⚠️

Thank you for your purchase of a Pirate Brand® E-Series Blaster. It is important to note that all Pirate Brand® blasting equipment is designed to be safe when used properly, however, misuse of any abrasive blasting equipment is dangerous and can result in the severe injury or death of the operator and others in the vicinity of the blasting equipment. In order to protect yourself and those around you, read and follow all sections of this manual & warning labels located on the blasting equipment.

Definition Of Terms Used In This Manual

Abrasive: A granular material used for blasting the surface of an object. Also referred to as "Media."

Blow-down: The automatic or manual release of air from a pressurized vessel. Also referred to as "Depressurize."

Control Handle: A required device that allows the blaster to be remotely started and stopped.

Depressurize: The automatic or manual release of air from a pressurized vessel. Also known as "Blow-down".

Pressure Hold System: Any blasting system in which the Pressure Vessel remains pressurized when the control handle is released. Also known as a Manual Blow-down System.

Pressure Release System: Any blasting system in which the Pressure Vessel is automatically depressurized when the control handle is released. Also known as an Automatic Blow-down System.

Pressure Vessel: The enclosed area of the blaster in which abrasive is contained and filled with pressurized air when blasting.

Pressurize: To fill the pressure vessel with compressed air.

Properly Trained: A person who can be considered "properly trained" must have successfully completed a sandblasting training course that focuses on the safe operation of stationary or portable abrasive blasters in the 1.5 - 20 cu. ft. capacity range. They must also have read and understood this manual in its entirety.

Silica: A hazardous substance which is contained in many naturally occurring abrasives. Dust produced by blasting with abrasives containing silica can cause respiratory disease. Do not use abrasive containing silica under any circumstance, even when respiratory protective equipment is being used.

Safety Symbols

The safety symbols shown below exist for the safety and protection of the operator and those in the vicinity of the Abrasive Blaster. The descriptions below explain how they are used in relation to the blasting equipment.



OR



OR



WARNING: This symbol calls attention to a potentially hazardous situation that could result in serious injury or death if the instructions associated with the symbol are not followed. The warning triangle will be displayed throughout the manual to denote instructions to which special attention should be paid.

DANGER: This symbol calls attention to a potentially hazardous situation that **WILL** result in serious injury or death if the instructions associated with the symbol are not followed. The warning triangle will be displayed throughout the manual to denote instructions to which special attention should be paid.



WARNING

- All persons who will be operating or will be in the vicinity of the Abrasive Blaster during its operation must receive proper training on how to safely operate the equipment and be informed of the potential hazards involved. In addition to proper training, all persons who will be operating or will be in the vicinity of the Abrasive Blaster during its operation must read, understand and follow all procedures described in the user's manual. For replacement manuals, please contact your distributor or visit www.pirate-brand.com.
- Respiratory protection is mandatory for all persons operating or located in the vicinity of the Abrasive Blaster. Follow all OSHA and NIOSH requirements for breathing equipment and supplied air standards.
- Pressurized Vessels contain large amounts of stored energy and can cause severe injury or death if safety procedures are not followed. **Never** perform maintenance or attempt to open a Pressure Vessel for any reason while it is Pressurized. **Always** Depressurize and properly disconnect equipment from its air source before performing any maintenance. **Do not** modify, grind or weld on the pressure vessel for any reason. Doing so will void the ASME certification. **Do not** use damaged pressure vessels.
- The use of proper remote control systems (commonly referred to as Deadman controls) are required when using abrasive blasters. **Never** operate the Abrasive Blaster without remote controls. **Never** use bleeder type control handles, such as Clemco® or A-BEC® style handles, with EPH or EPR series blasters as they can cause a hazardous situation where the blaster will not shut off when the handle is released.
- All persons who will be operating or will be in the vicinity of the Abrasive Blaster during its operation must protect themselves with the proper safety equipment and use of common sense. Safety equipment including but not limited to Hearing, Eye, Body and Lung protection are required. Abrasive blasters and the objects being blasted can be heavy and can lead to severe injury or death if they fall over. Always follow all safety requirements of OSHA and NIOSH.
- Use only Genuine Pirate Brand® replacement parts when performing maintenance on the Abrasive Blaster. **Do not** modify the equipment for any reason. Use of modified or non-Pirate Brand® parts can cause an unsafe situation and will void your warranty.
- **Never** use malfunctioning or damaged equipment. Before each use, inspect the Abrasive Blaster for proper function.
- Supply only cool, dry, compressed air that is free of debris to the Abrasive Blaster. Moisture or debris that reaches the remote control system can cause an unsafe situation. **Do not** supply compressed air to the blaster that exceeds 150 psi.
- **Do not** use abrasive blasters in areas that could be considered a hazardous location as described in the National Electric Code NFPA 70, Article 500. **Never** use the Abrasive Blaster in wet environments. **Always** connect electrically controlled abrasive blasters to a Ground Fault Circuit Interrupter (GFCI).



TABLE OF CONTENTS

Using This Manual..... 2

Definition Of Terms 2

Safety Symbols..... 2

WARNINGS..... 3

Safety Label Information 5

How EPR Systems Work 6

How EPH Systems Work 7

OPERATING PROCEDURES..... 8

 Set-Up 8

 Before You Blast 9

 Blasting 10

MAINTENANCE PROCEDURES..... 12

TROUBLESHOOTING 14

Warranty..... 16

Pressure Vessel Parts Lists..... 17

Pipe String Parts Lists..... 18

 EPR SERIES - Pneumatic Controls 18-19

 EPR SERIES - Electric Controls 20-21

 EPH SERIES - Pneumatic Controls 22-23

 EPH SERIES - Electric Controls 24-25

 EPR BLAST ROOM SERIES - Pneumatic Controls 26-27

 EPR BLAST ROOM SERIES - Electric Controls 28-29

 EPH BLAST ROOM SERIES - Pneumatic Controls 30-31

 EPH BLAST ROOM SERIES - Electric Controls 32-33

 EPR SERIES - Pneumatic Abrasive Cut-Off Controls 34

 EPR SERIES - Electric Abrasive Cut-Off Controls 35

 EPH SERIES - Pneumatic Abrasive Cut-Off Controls 36

 EPH SERIES - Electric Abrasive Cut-Off Controls 37

Control Handle Parts Lists..... 38

Valve Parts Lists..... 39

Blasting Set-Up..... 42

Available Accessories..... 44

Blasting Charts..... 48

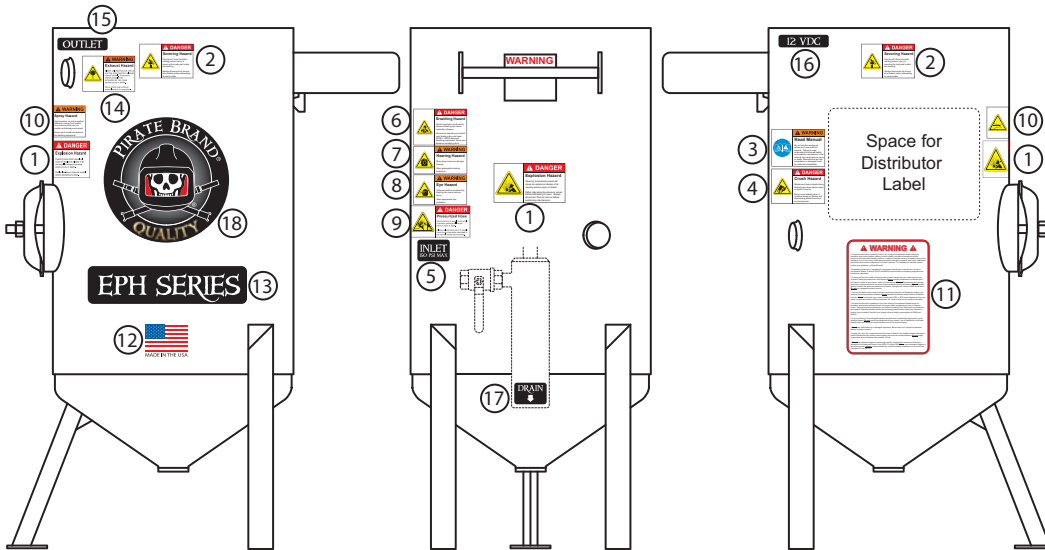
Distributed By:



Contact Info:
 For manual updates visit the
 Pirate Brand® website at:
WWW.PIRATE-BRAND.COM

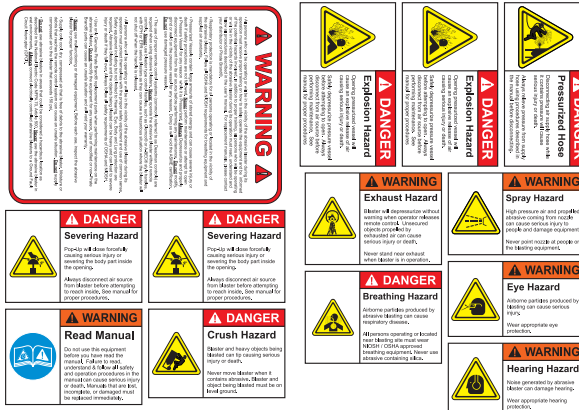


WARNING LABEL LOCATIONS



- | | | | |
|---------------------------|----------------------|---------------------------|--------------------------|
| 1 - Explosion Hazard (X2) | 6 - Breathing Hazard | 11 - WARNING Label | 15 - Outlet Label |
| 2 - Severing Hazard (X2) | 7 - Hearing Hazard | 12 - Made In USA | 16 - 12VDC Label |
| 3 - Read Manual | 8 - Eye Hazard | 13 - Series Label | 17 - Drain Label |
| 4 - Crush Hazard | 9 - Pressurized Hose | 14 - Exhaust Hazard | 18 - Pirate Brand® Label |
| 5 - Inlet Label | 10 - Spray Hazard | (EPR ONLY) | |

! Labels must be replaced when they are no longer readable!
 Replacement Label Pack P/N: PB-LPE001



Instructions For Installing Replacement Label Pack

1. Completely remove old label and clean area thoroughly before applying new label.
2. Apply replacement labels in locations as described above or as close as possible if area is obstructed
3. Placement of "Inlet Label" and "Pressurized Hose" labels will vary based on which type of system. Place these labels as close to the inlet coupling as possible.
4. 12 VDC Label is only to be used on electric remote controlled systems. **DO NOT** apply this label to systems with pneumatic remote controls.
5. #14 Exhaust Hazard Label is only to be used on EPR (Pressure Release) systems only. **DO NOT** apply this label to EPH (Pressure Hold) systems.



HOW EPR SYSTEMS WORK

(E-Series Pressure Release)



WARNING: This section of the manual is designed to give you a general understanding of how the Abrasive Blaster functions. All sections of this manual must be read and understood before operating the equipment.

ADDING ABRASIVE

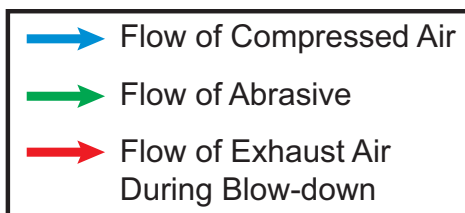
Abrasive is added through the hole in the top of the Abrasive Blaster where the Pop-up and its seat are located. When abrasive is added, it flows down through the hole, around the Pop-up and, down to the bottom of the pressure vessel where it will exit through the Metering Valve when blasting is started.

PRESSURIZATION

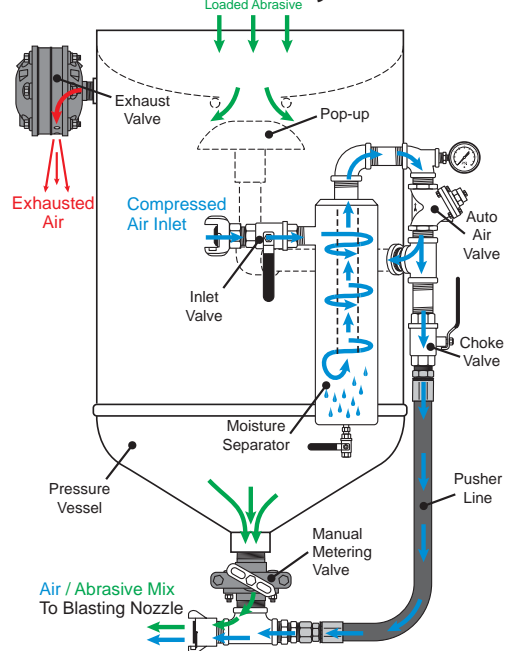
When a compressed air source (such as an air-compressor) is connected to the inlet of the Abrasive Blaster and the Inlet Valve is opened, compressed air flows through the Moisture Separator or 50 Micron Air Filter and reaches an Auto Air Valve where it is stopped. When the control handle is activated, the Exhaust Valve closes, the automatic metering valve (if equipped) opens and the Auto Air Valve(s) open allowing compressed air to flow into the pressure vessel causing the Pop-up (located internally) to seal against its seat. The pressure vessel is now pressurized. Air will also continue past the Choke Valve to the Metering Valve where it is mixed with abrasive. The mixture of compressed air will now exit the Abrasive Blaster through a blast hose and nozzle connected to the coupling on the Metering Valve and blasting begins. It is important to note that in EPR abrasive blasters equipped with Manual Metering Valves, some abrasive will collect at the base of the valve causing the blast hose to pulsate and spray abrasive erratically for a short time when blasting is started. This is normal and will not damage the Abrasive Blaster.

DEPRESSURIZATION (BLOW-DOWN)

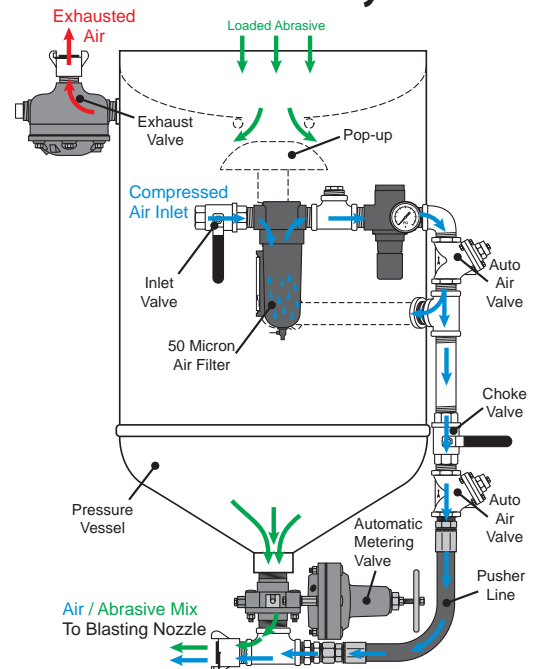
When the control handle is released in a pressure release (EPR) system, the Auto Air Valve(s) and Automatic Metering Valve (if equipped) automatically close stopping the flow of compressed air. At the same time, the Exhaust Valve opens and the compressed air remaining in the pressure vessel is released.



Portable EPR Systems



Blast Room EPR Systems





HOW EPH SYSTEMS WORK

(E-Series Pressure Hold)



WARNING: This section of the manual is designed to give you a general understanding of how the Abrasive Blaster functions. All sections of this manual must be read and understood before operating the equipment.

ADDING ABRASIVE

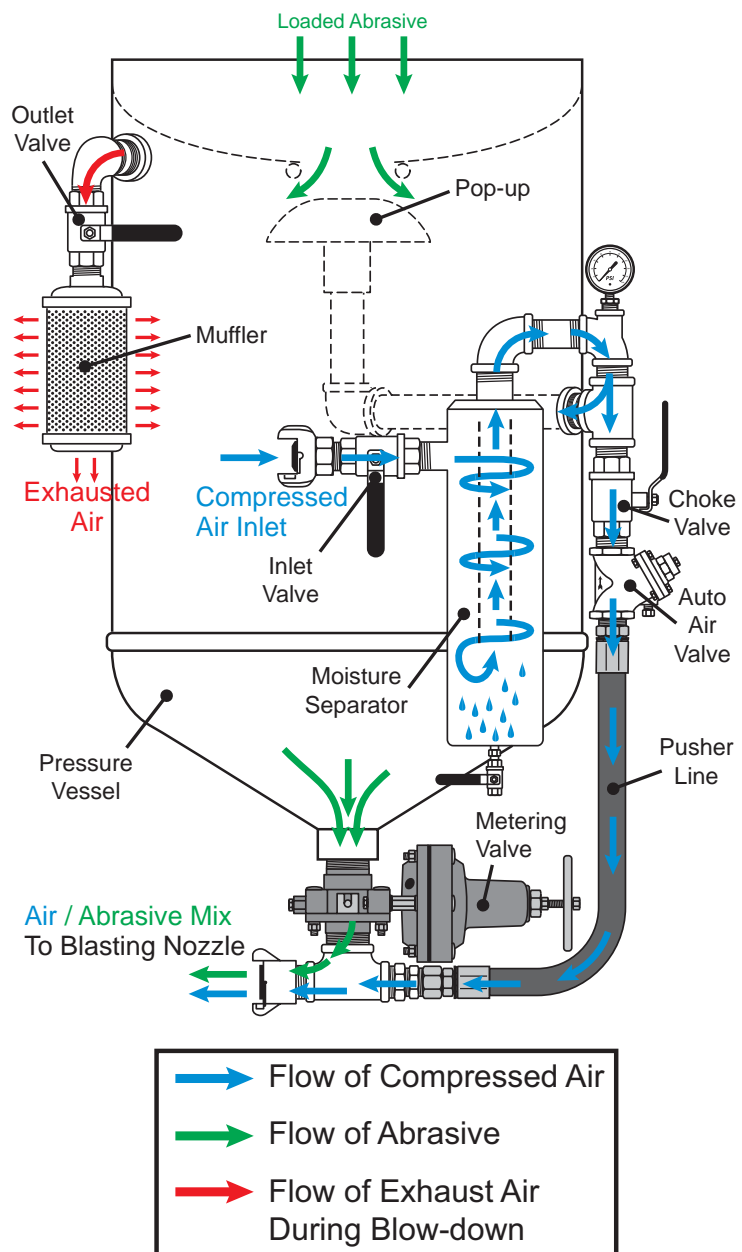
Abrasive is added through the hole in the top of the Abrasive Blaster where the Pop-up and its seat are located. When abrasive is added, it flows down through the hole, around the Pop-up and, down to the bottom of the pressure vessel where it will exit through the Metering Valve when blasting is started.

PRESSURIZATION

Before pressurization can take place in a pressure hold system, the Blow-down (outlet) Valve must be closed. Then, when a compressed air source (such as an air-compressor) is connected to the inlet of the Abrasive Blaster and the Inlet Valve is opened, compressed air can flow through the Moisture Separator and into the pressure vessel causing the Pop-up (located internally) to seal against its seat allowing the pressure vessel to become pressurized. When the control handle is activated, the Auto Air Valve and Automatic Metering Valve will open allowing compressed air & abrasive to flow and mix. The mixture of compressed air and abrasive will now exit the Abrasive Blaster through the blast hose and nozzle connected to the coupling on the Metering Valve and blasting begins.

DEPRESSURIZATION (BLOW-DOWN)

When the control handle is released in a pressure hold (EPH) system, the Auto Air Valve & Automatic Metering Valve close and the pressure vessel remains filled with compressed air. The compressed air remaining in the pressure vessel is released when the Inlet Valve is manually closed and the Blow-Down (Outlet) valve is manually opened.





OPERATING PROCEDURES



WARNING: The Procedures provided in the Operating Procedures section of the manual are designed to provide basic information on how to safely operate the features of Pirate Brand® EPH/EPR Series Abrasive Blasters. Only personnel thoroughly trained in abrasive blasting should operate the Abrasive Blaster.

SETTING-UP THE BLASTER

INSPECT PRESSURE VESSEL

When you receive your Abrasive Blaster, remove the Handway Assembly and check for foreign items that may have fallen into the Abrasive Blaster. Remove any foreign materials and reinstall the Handway Assembly.



DANGER: Never perform any maintenance or attempt to open the Abrasive Blaster in any way while it is pressurized. The violent release of compressed air and propelled objects will cause serious injury or death.

RE-TIGHTEN HANDWAY ASSEMBLY

After the Abrasive Blaster has been pressurized for the first time, tighten the nuts on the Handway Assembly. Tightening the nuts on the Handway Assembly should also be done any time after the Handway has been removed for maintenance before and after the next pressurization.



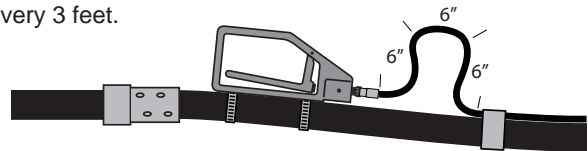
DANGER: Never perform any maintenance or attempt to open the Abrasive Blaster in any way while it is pressurized. The violent release of compressed air and propelled objects will cause serious injury or death.

PURGE AIR SUPPLY HOSE

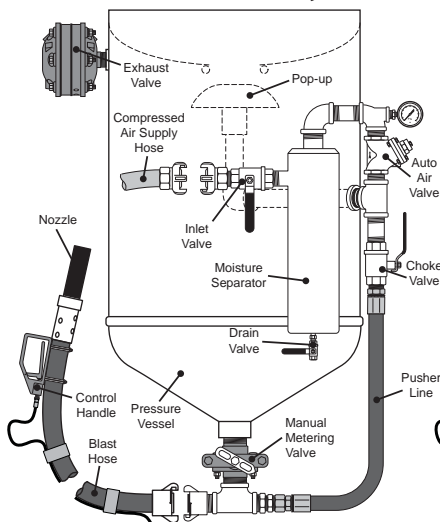
Before connecting the Air Supply Hose to the Abrasive Blaster, purge the hose of any moisture or foreign debris. Standing water or moisture in the air line will cause degraded performance of the Abrasive Blaster. Air supplied to the Abrasive Blaster must be clean, dry and cool.

ATTACH REMOTE CONTROL HANDLES

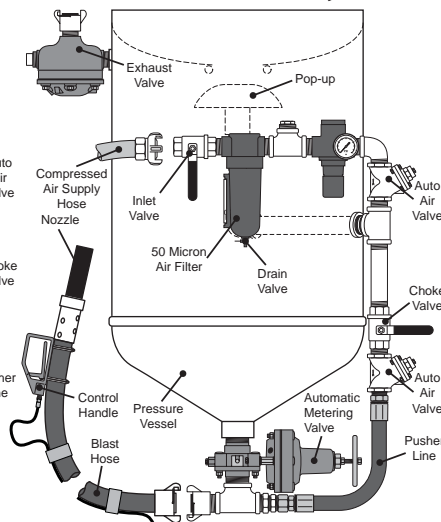
Attach the Remote Control Handle to the Blast Hose near the Nozzle with hose clamps or heavy wire ties. Form a loop of Twinline/Control Cord that comes 6" away from the Blast Hose, runs 6" parallel to the Blast Hose, and comes 6" back to the Blast Hose. Using duct tape, attach the Twinline/Control Cord to the Blast Hose where the loop ends by wrapping the tape around the Blast Hose twice and then around the Twinline/Control Cord. This creates a strain-relief attachment and is only necessary on the first connection near the Control Handle. Starting from the Nozzle end of the Blast Hose, attach the Twinline/Control Cord to the blast hose by wrapping duct tape around both every 3 feet.



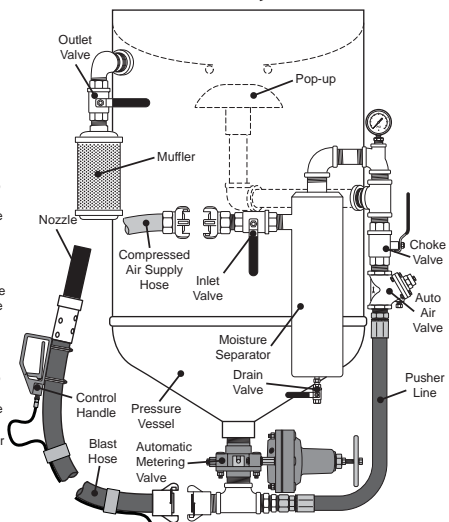
EPR - Portable Systems



EPR - Blast Room Systems



EPH - All Systems





OPERATING PROCEDURES

BEFORE YOU BLAST

PRE-BLAST CHECK

Before each use of the Abrasive Blaster, it must be checked to ensure it is in a safe condition to be used. Closely examine all components of the Abrasive Blaster for signs of excessive wear, worn out seals and hoses, or damaged components. If any component of the Abrasive Blaster is found to be damaged or worn, it must be replaced before blasting.



WARNING: Never use an Abrasive Blaster if any components are damaged or worn. Damaged or worn parts must be replaced before use.

ADDING ABRASIVE

Before filling the Abrasive Blaster, make sure the inlet valve is closed and the pressure vessel is in a depressurized state. Abrasive is added by pouring it into the top of the Abrasive Blaster where the abrasive can flow around the Pop-up and into the pressure vessel. Do not overfill the Abrasive Blaster. Do not allow foreign materials to enter the Abrasive Blaster.



DANGER: Never reach into the Pop-up opening while filling the Abrasive Blaster. It can close without warning causing severe injury or death



WARNING: Pirate Brand® Abrasive Blasters may not be used with abrasives containing silica. Never use abrasives containing silica.



WARNING: Never fill the abrasive blaster with the inlet valve in the open position. Always close the inlet valve before filling.



WARNING: Electrically conductive abrasives may not be used with abrasive blasters using Electric Remote Control Systems without changing to sealed strain relief connectors.



WARNING: Never attempt to move or transport the Abrasive Blaster when it contains Abrasive.

VERIFY PROPER AIR COMPRESSOR SIZE

The abrasive blaster requires a minimum constant supply of 100 PSI during use to operate properly and has a maximum of 150 PSI that should never be exceeded. Verify the air compressor that is to be used meets these requirements using the "Nozzle, Air, Power & Abrasive Requirements" chart at the back of this manual.



DANGER: Never supply compressed air exceeding 150 PSI (10.3 BAR) to the Abrasive Blaster.

REMOTE CONTROL SYSTEM

Abrasive Blasters must use a Remote Control System (commonly known as deadman) to start and stop abrasive blasting. Remote Control Systems can be electric or pneumatic.

Electric: Connect the Remote Control to the Abrasive Blaster's female twist-lock connector. Connect a 12 VDC power source (12V Battery or Optional 120 VAC to 12 VDC converter) to the Abrasive Blaster's male twist-lock connector.

Pneumatic: Connect the Remote Control twinline hose to the corresponding swivel fittings on the blaster. The twinline hose is supplied with different size fittings on each of the 2 lines to prevent them from being connected to the Abrasive Blaster incorrectly. Do not modify or reverse these fittings. It is not recommended that Pneumatic Remote Control Systems are used when the Blast Hose length will be longer than 100 feet.



WARNING: Never operate the Abrasive Blaster without a Remote Control System.



WARNING: Never use bleeder type Remote Control Handles such as Clemco® or A-BEC® style handles with Pirate-Brand® EPH/EPR Series Equipment as they may cause the Abrasive Blaster to start without warning or to not stop the Abrasive Blaster when released.



WARNING: Never reverse or modify pneumatic Remote Control twinline hose fittings.



DANGER: Always use caution around electric sources to avoid electric shock. Do not operate electrical remote controlled Abrasive Blasters in wet or other hazardous environments

CONNECTING HOSES

Before connecting hoses to the Abrasive Blaster, make sure the Inlet Valve is closed and the compressed air supply is shut off. Connect the hose coming from the compressed air supply to the inlet on the Abrasive Blaster and secure with safety clips. Connect the blast hose to the coupling on the Metering Valve at the base of the Abrasive Blaster and secure with safety clips (Use mechanics/safety wire when using optional BIG-GUN™ full port couplings).



WARNING: Always use safety devices like clips and whip-checks (safety cables) at hose connections. Optional BIG-GUN™ full port couplings require the use of safety/mechanics wire for proper securing.



OPERATING PROCEDURES

BLASTING

PRESSURIZING THE ABRASIVE BLASTER

Before pressurizing the Abrasive Blaster make sure the following conditions occur:

- ☞ All "BEFORE YOU BLAST" procedures have been followed.
- ☞ The Inlet Valve is closed.
- ☞ The Outlet Valve is closed (EPH Systems).
- ☞ The Remote Control Handle is released.
- ☞ All hose connections are secure and have a safety clip or safety/mechanics wire installed.
- ☞ The Abrasive Blaster is set up in a safe and level location where all people in the vicinity are aware of its presence.
- ☞ All necessary safety equipment is present and being worn by all people in the vicinity of the Abrasive Blaster.
- ☞ Only personnel who have been thoroughly trained and have read and understand the manual are in the vicinity of the Abrasive Blaster

When these conditions are met, turn on the compressed air source and open the Inlet Valve on the Abrasive Blaster. The Abrasive Blaster is now ready to begin blasting.



DANGER: Never perform any maintenance or attempt to open the Abrasive Blaster in any way while it is pressurized. The violent release of compressed air and propelled objects will cause serious injury or death.



DANGER: Never supply compressed air exceeding 150 PSI (10.3 BAR) to the Abrasive Blaster.



WARNING: Blast Hose may kick back when Remote Control Handle is activated. Be prepared and brace yourself for kick back. Blasters with Manual Metering Valves will normally kick back erratically for a short time when started.



WARNING: All those who will be in the area while blasting is to occur must be properly trained, read the manual, and be wearing safety equipment to protect from the hazards described by the WARNING and DANGER labels located on the Abrasive Blaster. If any labels are worn or missing they must be replaced.

USING THE ABRASIVE BLASTER

After pressurizing the Abrasive Blaster, it is ready to begin blasting. Activate the Remote Control Handle to start the flow of abrasive and compressed air. Adjustments to the air/abrasive mixture can be made by turning the handle on the Metering Valve. There will be a delay between a change made at the Metering Valve and what comes out of the Nozzle depending on the length of Blast Hose being used. Adjustments to the Metering Valve can only be made when Abrasive Blaster is not in operation.

To stop the flow of compressed air and abrasive, release the Remote Control Handle and blasting will stop after a short time. How long it takes for blasting to stop will depend on the length of Blast Hose being used. On Pressure Release (EPR) Abrasive Blasters with the #2 Exhaust Valve, the pressure vessel will automatically exhaust through the Exhaust Valve causing a rush of compressed air that can propel any loose objects, debris or spilled abrasive at nearby personnel. For this reason, personnel must not be located near a Pressure Release (EPR) Abrasive Blaster with a #2 Exhaust Valve when blasting is taking place.



DANGER: Airborne particles produced by abrasive blasting can cause respiratory disease. All persons operating or located near the blasting site must wear approved NIOSH / OSHA approved breathing equipment. Never use abrasive containing silica.



DANGER: Never stand near a Pressure Release (EPR) Abrasive Blaster equipped with a #2 Exhaust Valve when it is in operation. The release of the Remote Control handle will cause a sudden and violent release of compressed air from the exhaust hose without warning. Only adjust the Metering Valve after the Abrasive Blaster has completely depressurized.



WARNING: Only personnel thoroughly trained in abrasive blasting should operate the Abrasive Blaster. This manual only provides basic information on how to safely operate the features of Pirate Brand® EPH/EPR Series Abrasive Blasters.



WARNING: Never point the blast Nozzle at yourself, other people, or the Abrasive Blaster.



WARNING: The Choke Valve must be completely open when blasting or damage to equipment will occur.



OPERATING PROCEDURES

BLASTING

DRAINING THE MOISTURE SEPARATOR

During blasting, the Moisture Separator Or 50 Micron Air Filter must be periodically drained. The best way to accomplish this is to leave the drain valve slightly open all the time so it constantly leaks air and forces moisture out.



WARNING: The Abrasive Blaster must be supplied with clean, cool, dry compressed air in order to function properly. The included Moisture Separator on the abrasive blaster may not be sufficient to achieve this depending on the quality of the air being supplied.

DISCONNECTING THE AIR SUPPLY HOSE

After the Abrasive Blaster has been depressurized, and the Inlet Valve has been closed, the Compressed Air Supply Hose may still contain pressure which must be released before disconnecting the hose. To do this shut off the compressed air at its source, and open the Drain Valve on the Moisture Separator or 50 Micron Air Filter. Slowly open the inlet valve on the Abrasive Blaster. The compressed air stored in the Compressed Air Supply Hose can now escape through the Drain Valve. When you no longer hear air escaping through the drain valve, squeeze the Compressed Air Supply Hose to confirm the absence of compressed air. After confirming the absence of compressed air in the Compressed Air Supply Hose it is ready to be disconnected.

SHUTTING DOWN THE ABRASIVE BLASTER

When blasting is complete, the Abrasive Blaster will need to be shut down. Make sure the Remote Control Handle is released, then close the Inlet Valve. Pressure release (EPR) systems will already be depressurized. To depressurize pressure hold (EPH) systems, Slowly open the Outlet Valve to allow the compressed air stored in the Abrasive Blaster to escape.

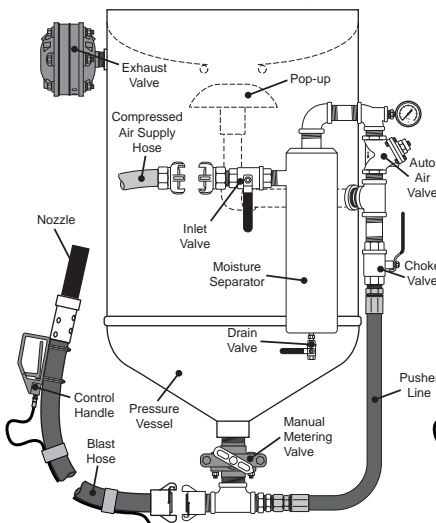


DANGER: Never disconnect any compressed air supply hose without first performing the "DISCONNECTING AIR SUPPLY HOSE" procedure described above. Failure to do so can cause the hose to blow off violently injuring or killing nearby people.

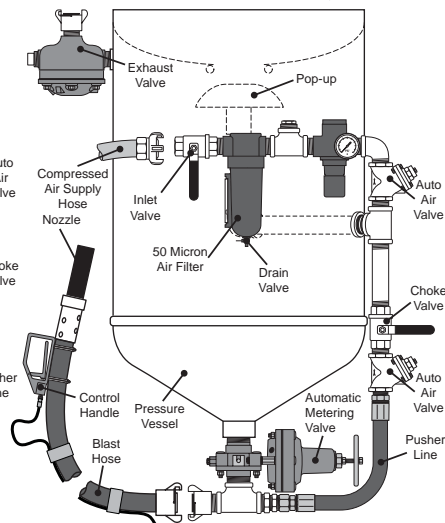


WARNING: Never operate a Pressure Hold (EPH) Abrasive Blaster without a muffler on the Outlet. Without the muffler, the sudden release of compressed air can cause severe injury.

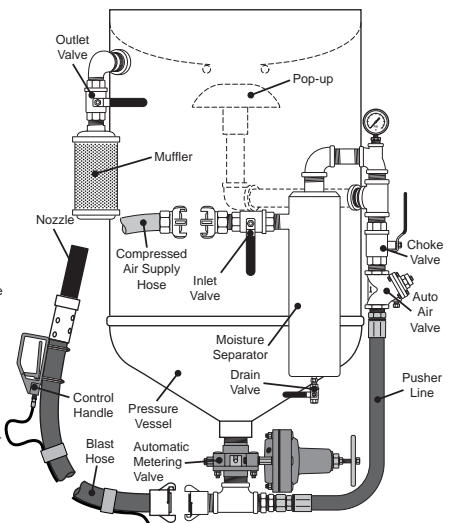
EPR - Portable Systems



EPR - Blast Room Systems



EPH - All Systems





MAINTENANCE PROCEDURES



Maintenance Schedule



DANGER: Never perform any maintenance or attempt to open the Abrasive Blaster in any way while it is pressurized. The violent release of compressed air and propelled objects will cause serious injury or death.



WARNING: Maintenance procedures are to be performed by experienced qualified personnel only. Failure to perform maintenance procedures correctly at the intervals specified below can lead to performance problems and equipment failure, and will void the equipment warranty.

Procedure to be Performed	Maintenance Interval
1 Inspect Personal Protective Equipment (PPE) Including but not limited to: Respirators, Airline Filters, Carbon-Monoxide Monitors, Hearing Protection, Eye Protection, Foot Protection, Protective Clothing & Gloves. Reference www.osha.gov 29 CFR 1910.132 - General Requirements (PPE) 29 CFR 1910.133 - Eye (PPE) 29 CFR 1910.134 - Respiratory (PPE) 29 CFR 1910.136 - Feet (PPE) 29 CFR 1910.138 - Protective Clothing & Gloves (PPE) 26 CFR 1926.101 - Hearing (PPE)	Every 8 Hours Of Use
2 Inspect Remote Control Handle and Control Hose/Cord	Every 8 Hours Of Use
3 Inspect Blast Hose, Couplings & Gaskets	Every 8 Hours Of Use
4 Inspect Blasting Nozzle	Every 8 Hours Of Use
5 Inspect Air Hose, Couplings & Gaskets	Every 8 Hours Of Use
6 Inspect & Clean Blow-down Muffler (If Equipped)	Every 40 Hours Of Use
7 Inspect Pop-Up & Pop-Up Gasket	Every 200 Hours Of Use
8 Inspect / Service Exhaust Valve (If Equipped)	Every 200 Hours Of Use
9 Inspect / Service Metering Valve	Every 600 Hours Of Use
10 Inspect / Service Auto Air Valve(s)	Every 600 Hours Of Use
11 Service Control Valve(s) (If Equipped)	Every 600 Hours Of Use

Descriptions of maintenance procedures referenced in this table are located on the next page.



MAINTENANCE PROCEDURES



Procedure Details

1. Inspect Personal Protective Equipment (PPE)

Inspect ALL Personal Protective Equipment (PPE) for proper fit, condition & operation as designed. Replace, repair, or be fitted as needed.

2. Inspect Remote Control Handle and Control Hose/Cord

Pneumatic Remote Control Systems:

Inspect Control Handle for damage making sure the safety flap(paddle style handles only) is in good working order and replace or repair as needed. Inspect twinline hoses and replace if leaks, areas that show abrasion, or soft spots are found.

Electric Remote Control Systems:

Inspect Control Handle for damage making sure the switch, boot and safety flap(paddle style handles only)are in good working order and replace as needed. Inspect control cord and replace if damaged plug ends, areas that show abrasion, exposed wires, or cracks are found.

3. Inspect Blast Hose, Couplings & Gaskets

Inspect the Blast Hose for leaks, abrasion & soft spots, and replace as needed. Inspect couplings for damage, leaks & wear, and replace as needed. Inspect coupling gaskets for leaks & wear, and replace as needed. Always use safety clips & whip checks (safety cables) at Blast Hose connections. BIG-GUN™ full port couplings require the use of safety/mechanics wire for proper securing.

4. Inspect Blasting Nozzle

Inspect the Blasting Nozzle for wear and proper bore diameter. Replace the Blasting Nozzle when the bore diameter has worn to 1/16" wider than its original diameter. Example: replace a #5 nozzle (5/16" bore) when the bore reaches 3/8"

5. Inspect Air Hose, Couplings & Gaskets

Inspect the Air Hose for leaks, abrasion & soft spots, and replace as needed. Inspect couplings for damage, leaks & wear, and replace as needed. Inspect coupling gaskets for leaks & wear, and replace as needed. Always use safety clips & whip checks (safety cables) at Air Hose connections.

6. Inspect & Clean Blow-down Muffler (If Equipped)

Remove the Blow-down muffler, turn it upside-down and tap on a hard surface to free trapped debris. If the muffler is clogged and can't be cleaned out sufficiently, it must be replaced.

7. Inspect Pop-Up & Pop-Up Gasket

Inspect the Pop-Up & Pop-Up Gasket for wear and replace as necessary.

8. Inspect / Service Exhaust Valve (If Equipped)

Disassemble, clean & inspect the Exhaust Valve for proper operation and worn components. Replace any worn components found.

9. Inspect / Service Metering Valve

Disassemble, clean & inspect the Metering Valve for proper operation and worn components. Replace any worn components found. Pay special attention to the metering tube and replace immediately if worn or cracked. If air is found to be constantly weeping from the vent during blasting, air is leaking around the diaphragm which must be replaced.



DANGER: Never disassemble the Automatic Metering Valve spring assembly as it is under compression. Always replace the spring/diaphragm assembly as a complete unit. Failure to do so can cause components to come apart violently injuring people.

10. Inspect / Service Auto Air Valve(s)

Disassemble, clean & inspect for proper operation and worn components. Replace any worn components found. Lubricate with silicone grease before reassembling.

11. Service Control Valve(s) (If Equipped)

Disassemble, clean & inspect for proper operation and worn components. Replace any worn components found. Lubricate with silicone grease before reassembling.



⚠️ TROUBLESHOOTING ⚠️

Performance Related Issues



DANGER: Never attempt to open the Abrasive Blaster in any way while it is pressurized. Use extreme caution when performing troubleshooting procedures that involve pressurizing the Abrasive Blaster. Troubleshooting procedures are to be performed by experienced qualified personnel only.

NO ABRASIVE FLOW WHEN BLASTING (AIR ONLY)

Possible Causes:

1. **The Abrasive Blaster is empty or has no Abrasive in it.**
2. **Abrasive cut-off function is engaged halting the flow of abrasive (if equipped).**
3. **The Metering Valve is closed or has not been adjusted properly.**
4. **There is an obstruction in the Metering Valve.** To clear the obstruction perform the following procedure:

Turn the handle on the Metering Valve counter-clockwise until it is completely open. Depress the control handle and have a second qualified person close the choke valve for 2 seconds, and then open it again immediately. This will push minor obstructions such as a small amount of wet abrasive, a piece of paper from a bag, or bridged paint chips through the Metering Valve and out the Nozzle. Readjust the Metering Valve back to the desired setting for blasting, and check to see if the obstruction has been cleared. If not, repeat this step but also back the stationary roller bolt out (#3 in Pinch Valve - Automatic Line Drawing on page 39)

If there is still an obstruction, then you must depressurize the Abrasive Blaster, remove the pusher line, and remove the Metering Valve to check for a steady stream of abrasive. If abrasive flows, wait until the Abrasive Blaster is empty before reinstalling the Metering Valve.

If there is still an obstruction, then the obstruction must be removed from inside the Pressure Vessel. To do this, make sure the Abrasive Blaster is depressurized and remove the Handway Assembly. Scoop or vacuum out all the abrasive from inside the pressure vessel and remove the obstruction. Reinstall the Handway Assembly and Metering Valve and tighten them securely, then refill the Abrasive Blaster.

It is recommended that a screen be used to prevent foreign objects from entering the Abrasive Blaster and causing an obstruction.

5. **The Abrasive Blaster has wet abrasive in it.** The wet abrasive must be removed by depressurizing the Abrasive Blaster, removing the Handway Assembly, and scooping or vacuuming it out.

Dry abrasive must always be used. Clean, cool, dry air must be supplied to the Abrasive Blaster in order to prevent the abrasive from getting wet. For Abrasive Blasters being used outside, it is recommended that a lid be used to keep water from entering the Abrasive Blaster.

LOW PRESSURE AT THE NOZZLE

Possible Causes:

1. **Air compressor is the wrong size (too small) or the load button has not been pushed or turned on. (100 - 150 PSI supply required)**
2. **Nozzle is worn out and the compressor cannot keep up with the increased demand.**
3. **Air supply hose to the blast machine is too small.**
4. **There is a hole in the blast hose.**
5. **Pop-up is not sealing properly.**
6. **Handway Assembly is leaking.**
7. **Dirty or clogged Auto Air Valve Vent (if equipped).**
8. **Diaphragm in Auto Air Valve is damaged, defective, or worn out (if equipped).** To test, put your thumb over the vent. If any air is coming out with the control handle depressed, the diaphragm must be replaced.
9. **Choke Valve is partially closed.** Never run the Abrasive Blaster with the Choke Valve in any other position except fully open or damage to the Abrasive Blaster will occur.
10. **Abrasive Metering Valve is open too far.**
11. **Obstruction in Nozzle.**
12. **Regulator needs adjustment (if equipped).**

ABRASIVE STREAM IS TOO HEAVY OR THROBBING WHEN BLASTING

Possible Causes:

Note: EPR Systems may throb temporarily when starting up if abrasive has collected in blast hose from previous use. This is normal and requires no action to correct.

1. **Choke Valve is partially closed.** Never run the Abrasive Blaster with the Choke Valve in any other position except fully open or damage to the Abrasive Blaster will occur.
2. **The Metering Valve needs to be adjusted.**

ABRASIVE BLASTER WILL NOT TURN ON OR IS SLOW TO TURN ON

Possible Causes:

1. **The door interlock control valve has not been activated (Blast Room Series only)**
2. **Air compressor is the wrong size (too small) or the load button has not been pushed or turned on. (100 - 150 PSI supply required)**
3. **Nozzle is worn out and the compressor cannot keep up with the increased demand.**
4. **Air supply hose to the blast machine is too small.**
5. **Control hoses and/or fittings are leaking.**
6. **90 micron strainer or 50 micron air filter is clogged (if equipped)**
7. **Obstruction in Nozzle.**
8. **Dirty or clogged Auto Air Valve Vent (if equipped).**
9. **The Pneumatic Control Handle is damaged, defective or worn out (if equipped).**
10. **The Electric Control Handle is damaged, defective or worn out (if equipped).**
11. **The Electric Control Coil(s) are defective (if equipped).**
12. **Power Source (battery or AC-DC converter) is not providing sufficient power to open electric control valves (if equipped).**
13. **The Electric Control Cord is damaged, defective or worn out (if equipped).**
14. **Control Valve stuck or in need of service due to lack of lubrication, or is damaged, defective or worn out (if equipped).**
15. **Diaphragm in Auto Air Valve is damaged, defective, or worn out (if equipped).** To test, put your thumb over the vent. If any air is coming out with the control handle depressed, the diaphragm must be replaced.

AIR CONTINUALLY FLOWS FROM THE EXHAUST VALVE DURING BLASTING

Possible Causes:

1. **The Exhaust Valve has damaged internal components and is in need of service/repair kit.**

EPR BLAST ROOM SERIES BLASTER BLOWS DOWN TOO FAST / VIOLENTLY

Possible Causes:

1. **The 5/16" Boron Carbide restriction nozzle inside the #8 Exhaust Valve is worn out and needs to be replaced.**



⚠️ TROUBLESHOOTING ⚠️

Operational Related Issues



DANGER: Never attempt to open the Abrasive Blaster in any way while it is pressurized. Use extreme caution when performing troubleshooting procedures that involve pressurizing the Abrasive Blaster. Troubleshooting procedures are to be performed by experienced qualified personnel only.

BLAST MACHINE TURNS ON ACCIDENTALLY OR WITHOUT WARNING

Possible Causes:

1. The safety flap, on the Control Handle (paddle style handles only) is damaged or missing.
2. The Pneumatic Control Handle is damaged, defective or worn out (if equipped).
3. A bleeder type control handle has been installed.



WARNING: Never use bleeder type Remote Control Handles such as Clemco® or A-BEC® style handles with Pirate-Brand® EPH/EPR as they may cause the Abrasive Blaster to start without warning or to not stop the Abrasive Blaster when released.

4. The Electric Control Handle is damaged, defective or worn out (if equipped).
5. The Electric Control Cord is damaged, defective or worn out (if equipped).
6. "O"-ring on the shaft of the Auto Air Valve is damaged, defective or worn out (if equipped).

ABRASIVE BLASTER AIR BLAST STOPS BUT ABRASIVE KEEPS FLOWING WHEN CONTROL HANDLE IS RELEASED (SYSTEMS WITH AUTOMATIC METERING VALVES ONLY)

Possible Causes:

1. The Metering Tube in the Metering Valve is worn out.
2. The Automatic Metering Valve is stuck in the open position and is need of repair.

BLAST MACHINE IS SLOW TO TURN OFF OR WILL NOT TURN OFF WHEN CONTROL HANDLE IS RELEASED

Possible Causes:

1. A bleeder type control handle has been installed.



WARNING: Never use bleeder type Remote Control Handles such as Clemco® or A-BEC® style handles with Pirate-Brand® EPH/EPR as they may cause the Abrasive Blaster to start without warning or to not stop the Abrasive Blaster when released.

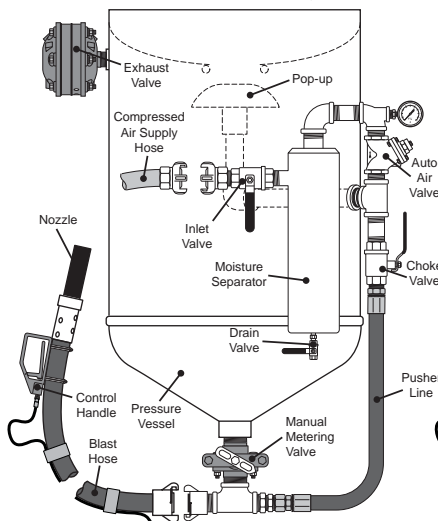
2. The Pneumatic Control Handle is damaged, defective or worn out (if equipped).
3. The Electric Control Handle is damaged, defective or worn out (if equipped).
4. The Electric Control Cord is damaged, defective or worn out (if equipped).
5. The Control Valve is stuck or in need of service due to lack of lubrication, or is damaged, defective or worn out (if equipped)
6. Blow-down Muffler is clogged slowing the release of air.

BLAST MACHINE ABRASIVE STOPS BUT AIR BLAST WILL NOT SHUT OFF WHEN CONTROL HANDLE IS RELEASED

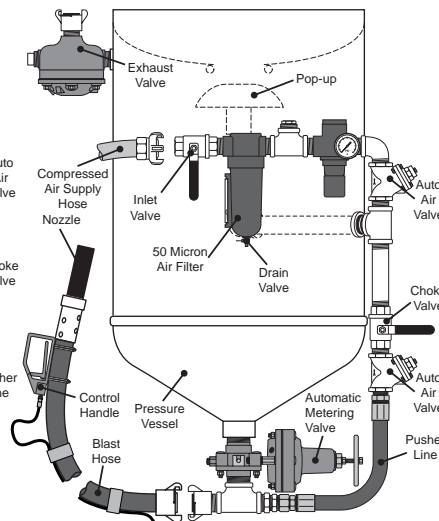
Possible Causes:

1. Auto Air Valve Seat is damaged, defective, or worn out.
2. Auto Air Valve Disc is damaged, defective, or worn out.
3. "O"-ring on the Auto Air Valve Shaft is damaged, defective or worn out.
4. Auto Air Valve Spring is damaged, defective, or worn out.

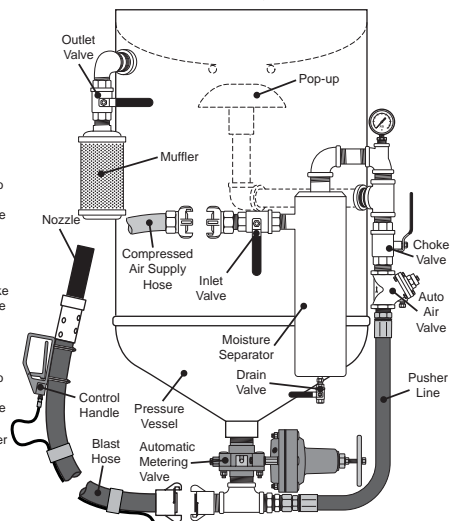
EPR - Portable Systems



EPR - Blast Room Systems



EPH - All Systems





WARRANTY

PIRATE BRAND® ABRASIVE BLAST POT EQUIPMENT 5 YEAR / 10 YEAR LIMITED WARRANTY

5 YEAR LIMITED ABRASIVE BLAST POT WARRANTY. Manufacturer warrants the complete abrasive blast pot it manufactures to be free of defects in material and workmanship for a period of five (5) years from the date of invoice.

10 YEAR LIMITED PRESSURE VESSEL WARRANTY. Manufacturer warrants the abrasive blast pot pressure vessel it manufactures to be free of defects in material and workmanship for a period of ten (10) years from the date of invoice.

LIMITATION OF WARRANTIES AND REMEDIES. THIS WARRANTY IS EXTENDED ONLY TO THE BUYER WHO PURCHASES THE ABRASIVE BLAST POT DIRECTLY FROM THE MANUFACTURER OR ITS AUTHORIZED DISTRIBUTORS AND IS NON-TRANSFERABLE. THE PURCHASER'S EXCLUSIVE REMEDY ARISING FROM ITS PURCHASE OR USE OF THE PRODUCT SHALL BE STRICTLY LIMITED TO THE REPAIR OR REPLACEMENT OF THE PRODUCTS, AT THE DISCRETION OF THE MANUFACTURER, AND ALL WARRANTY CLAIMS OR REQUESTS MUST BE MADE IN WRITING TO THE MANUFACTURER WITHIN TEN (10) DAYS AFTER FAILURE OF THE PRODUCT. ALL OBLIGATIONS OR LIABILITIES OF MANUFACTURER OR SELLER FOR DAMAGES ARISING OUT OF OR IN CONNECTION WITH THE PRODUCT AND USE OR PERFORMANCE OF THE PRODUCTS, EXCEPT AS EXPRESSLY PROVIDED HEREIN, ARE FULLY DISCLAIMED AND EXCLUDED, AND NO SELLER OR DISTRIBUTOR HAS ANY AUTHORITY TO MAKE ANY WARRANTY OR ASSUME ANY LIABILITY ON BEHALF OF THE MANUFACTURER IN CONNECTION WITH THE SALE OF THE PRODUCT EXCEPT AS STATED HEREIN.

AS A CONDITION OF THE PURCHASE, PURCHASER AGREES THAT MANUFACTURER AND SELLER SHALL NOT, UNDER ANY CIRCUMSTANCES, BE LIABLE FOR ANY COST OF FREIGHT, SHIPPING OR TRANSPORTATION, LABOR, SPECIAL CHARGES, NORMAL MAINTENANCE SERVICES, LOST OPERATING TIME, LOSS OF USE, LOST PROFITS, LOSS OF GOODWILL, CONSEQUENTIAL DAMAGES, PUNITIVE OR EXEMPLARY DAMAGES, OR OTHER DAMAGES OR LOSS. OTHER THAN AS DESCRIBED HEREIN, MANUFACTURER AND SELLER MAKE NO WARRANTY OF ANY KIND, EXPRESS OR IMPLIED, WITH RESPECT TO THE PRODUCTS, AND SPECIFICALLY DISCLAIM ANY WARRANTY OF MERCHANTABILITY, FITNESS FOR A PARTICULAR PURPOSE, OR OTHER WARRANTY. PURCHASER ASSUMES ALL RISK AND LIABILITY RESULTING FROM THE USE OF THE PRODUCTS. PURCHASER FURTHER AGREES AS A CONDITION OF THE SALE AND THE USE OF THE PRODUCT, THAT ANY DAMAGES OR RISK OF LOSS OTHER THAN AS DESCRIBED HEREIN ABOVE, SHALL BE THE EXCLUSIVE RESPONSIBILITY OF THE PURCHASER AND NOT THE MANUFACTURER OR SELLER. MANUFACTURER AND SELLER SHALL NOT BE LIABLE FOR ANY DAMAGES INCURRED BY ANY PERSON AS A RESULT OF MISUSE, IMPROPER INSTALLATION, IMPROPER APPLICATION, IMPROPER OPERATION OF THE PRODUCTS, NORMAL WEAR AND TEAR, ALTERATIONS OR MODIFICATIONS MADE TO THE PRODUCTS, OR ACCIDENT. THE USE OF REPLACEMENT PARTS NOT PROVIDED OR AUTHORIZED BY THE MANUFACTURER VOIDS ALL WARRANTIES.

A COMPLETELY FILLED OUT WARRANTY CARD MUST BE RETURNED TO THE MANUFACTURER WITHIN THIRTY (30) DAYS OF PURCHASE OF THE PRODUCT OR ALL WARRANTIES ARE VOID. PRODUCT MUST BE MAINTAINED IN ACCORDANCE TO THE MAINTENANCE SCHEDULE PROVIDED IN THE PRODUCT MANUAL, FAILURE TO MAINTAIN THE PRODUCT IN ACCORDANCE WITH THE MAINTENANCE SCHEDULE VOIDS ALL WARRANTIES. THIS WARRANTY DOES NOT COVER FACTORY INSTALLED OR CUSTOMER INSTALLED ACCESSORIES.

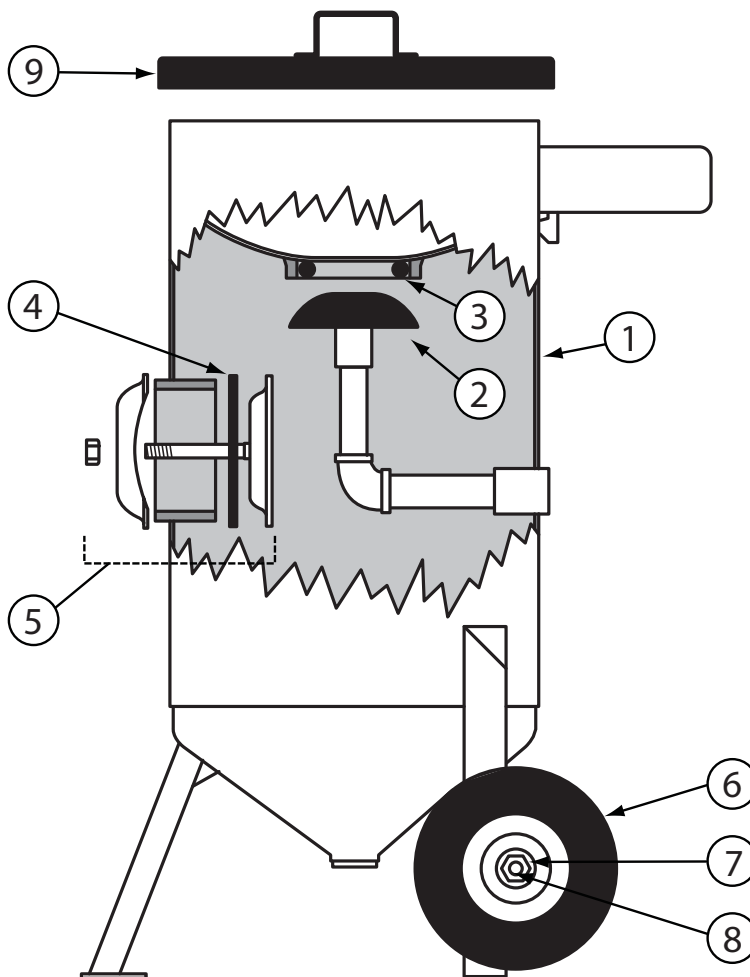
WARRANTY CLAIMS. Warranty claims must be submitted to the manufacturer within ten (10) days after failure of the product. Contact information for warranty claims:

Forecast Sales, Inc.
2719 Tobey Dr.
Indianapolis, IN 46219
317-829-0147

Effective July 8, 2015



☠️ PRESSURE VESSEL PARTS LISTS ☠️

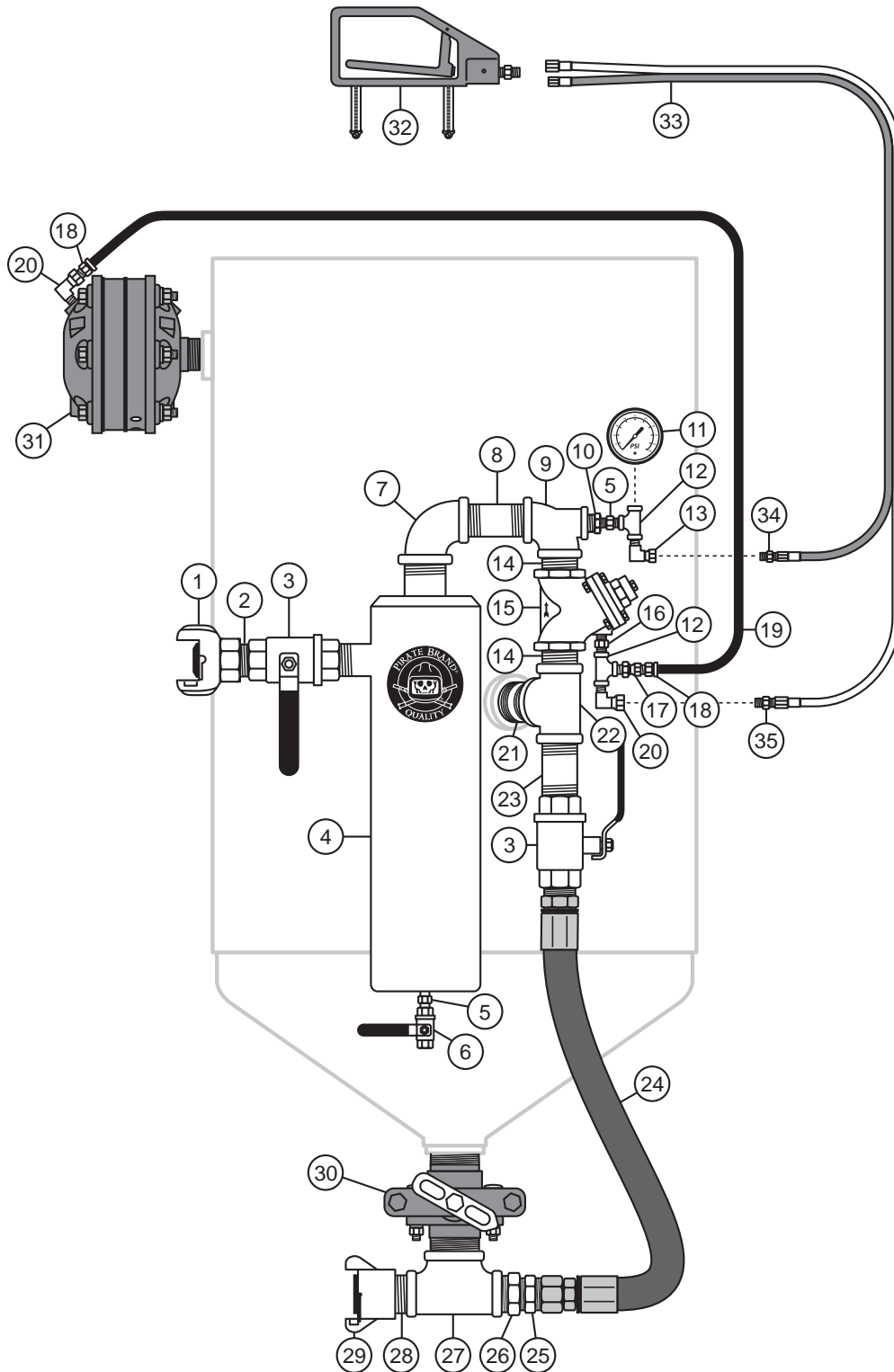


3.5 CU. FT.			6.5 CU. FT.		
1	300-350P	VESSEL, PORTABLE, 3.5 CU. FT. (100 LITERS), 150 PSI (10.3 BAR), 110° CONE BOTTOM, 7-1/2" CLEARANCE, 18" DIA, INCLUDES: HANDWAY ASSEMBLY, POP-UP, POP-UP GASKET, SCREEN & BAG BREAKER	1	600-650P	VESSEL, PORTABLE, 6.5 CU. FT. (185 LITERS), 150 PSI (10.3 BAR), 110° CONE BOTTOM, 7-1/2" CLEARANCE, 24" DIA, INCLUDES: HANDWAY ASSEMBLY, POP-UP, POP-UP GASKET, SCREEN & BAG BREAKER
1	300-350S	VESSEL, STATIONARY, 3.5 CU. FT. (100 LITERS), 150 PSI (10.3 BAR), 110° CONE BOTTOM, 7-1/2" CLEARANCE, 44" OAH, 18" DIA, INCLUDES: HANDWAY ASSEMBLY, POP-UP, POP-UP GASKET, SCREEN & BAG BREAKER	1	600-650S	VESSEL, STATIONARY, 6.5 CU. FT. (185 LITERS), 150 PSI (10.3 BAR), 110° CONE BOTTOM, 7-1/2" CLEARANCE, 51" OAH, 24" DIA, INCLUDES: HANDWAY ASSEMBLY, POP-UP, POP-UP GASKET, SCREEN & BAG BREAKER
2	525-072	PLUNGER, SEALING, COATED, 6"			
3	523-872	RING, "O", 6"			
4	888-7000-00106PB	GASKET, HANDWAY, 6" x 8"			
5	888-7000-00111PB	HANDWAY CRAB ASSY 6" x 8"			
6	888-7046-003PB	WHEEL & TIRE, 3.5 CU FT	6	120-4270	WHEEL & TIRE, 6.5 CU FT
7	888-7019-519PB	NUT, NYLOCK, 3/4" UNC	7	888-7019-527PB	NUT, NYLOCK, 1" UNC
8	888-7040-003PB	AXLE, 3/4" x 22"	8	888-7040-006PB	AXLE 1" x 33",
9	888-5010-030PB	LID, 18" DIA W/HANDLE, POWDER COATED	9	888-5010-060PB	LID, 24" DIA W/HANDLE, POWDER COATED



PIPE STRING PARTS LISTS

EPR SERIES - Pneumatic Controls





PIPE STRING PARTS LISTS

EPR SERIES - Pneumatic Controls

3.5 CU. FT.			6.5 CU. FT.		
1	UM-100	AIR HOSE COUPLING, 2 LUG, 1" MALE NPT	1	UF-125	AIR HOSE COUPLINGS, 4 LUG, 1-1/4" FEMALE NPT
2	NOT USED		2	888-3029-10799PB	NIPPLE, TBE, GALV, 1-1/4" x CLOSED
3	VB100	BALL VALVE, FULL PORT, 1" NPT	3	VB125	BALL VALVE, FULL PORT, 1-1/4" NPT
4	888-1200-006PB-P	MOISTURE TRAP 1" (1" INLET x 1-1/4" M OUTLET, 150 CFM, POWDER COATED BLACK)	4	888-1200-007PB-P	MOISTURE TRAP 1-1/4" (1-1/4" M INLET x 1-1/4" M OUTLET, 150 CFM, POWDER COATED BLACK)
5	888-3031-31202PB	NIPPLE, HEX 1/4" MNPT x 1/4" MNPT			
6	VB025	BALL VALVE, FULL PORT, 1/4" NPT			
7	888-3010-10706PB	ELBOW, REDUCING, GALV, 1-1/4" x 1"	7	888-3000-107PB	ELBOW, GALV, 90°, 1-1/4"
8	888-3029-10611PB	NIPPLE, TBE, GALV, 1" x 3"	8	888-3029-10711PB	NIPPLE, TBE, GALV, 1-1/4" x 3"
9	888-3013-10604PB	TEE, GALV, 1" x 1/2" x 1"	9	888-3013-10705PB	TEE, GALV, 90°, 1-1/4" x 3/4" x 1-1/4"
10	888-3026-10402PB	BUSHING, GALV, 1/2" x 1/4"	10	888-3026-10502PB	BUSHING, GALV, 3/4" x 1/4"
11	888-2010-010PB	PRESS GAUGE, 0-160 PSI BACK MNT			
12	888-3011-102PB	TEE, GALV, 1/4"			
13	888-4203-50200PB	SWIVEL 90°, 1/4" MNPT x 1/8" F			
14	888-3029-10699PB	NIPPLE, TBE, GALV, 1" x CLOSED	14	888-3029-10799PB	NIPPLE, TBE, GALV, 1-1/4" x CLOSED
15*	888-2123-106PB	VALVE, AUTO AIR, 1", (NORMALLY CLOSED)	15*	888-2123-107PB	VALVE, AUTO AIR, 1-1/4", (NORMALLY CLOSED)
16	888-3031-31200PB	NIPPLE, HEX, 1/4" MNPT x 1/8" MNPT			
17	888-4201-50202PB	STRAIGHT SWIVEL, 1/4" MNPT x 1/4" F			
18	888-4200-30202PB	HOSE, PUSH-ON INSERT 1/4" x 1/4" NPT			
19	888-4101-002PB	HOSE, AIR, INSTA-GRIP, BLACK, NOMINAL 1/4" ID, 300 PSI			
20	888-4203-50202PB	SWIVEL 90°, 1/4" MNPT x 1/4" F			
21	888-3028-10711PB	NIPPLE, TBE, SCHEDULE 80, GALV, 1-1/4" x 3"			
22	888-3011-10607PB	TEE, GALV, 1" x 1" x 1-1/4"	22	888-3011-107PB	TEE, GALV, 1-1/4"
23	888-3029-10611PB	NIPPLE, TBE, GALV, 1" x 3"	23	888-3029-10799PB	NIPPLE, TBE, GALV, 1-1/4" x CLOSED
24	124-1670	PUSHER LINE KIT (FLEX) 1" x 20", OAL 24"	24	124-1680	PUSHER LINE KIT (FLEX) 1-1/4" x 20", OAL 24"
25	111-7200	FITTING, 1" MNPT x 1" M-FLARE	25	122-5290	FITTING, 1-1/4" MNPT x 1-1/4" M-FLARE
26	888-3026-10706PB	BUSHING, GALV, 1-1/4" x 1"			NOT USED
27	545-752	TEE, GALV, 1-1/4" x 1-1/4" x 2"			
28	888-3028-10799PB	NIPPLE, TBE, SCHEDULE 80, GALV, 1-1/4" x CLOSE			
29	SB-1S-IR	THRD CPLG, STD NPS, IRON, 1-1/4"			
30*	290-383	VALVE, PINCH, MANUAL (INCLUDES: X-TREME TUBE)			
31*	290-181	VALVE, EXHAUST, #2 (INCLUDES: X-TREME DUTY BALL)			
32**	290-164	D-HANDLE CONTROL, PNEUMATIC (DEADMAN CONTROL HANDLE)			
	290-166	PADDLE HANDLE CONTROL, PNEUMATIC (DEADMAN CONTROL HANDLE)			
33	200-055E	HOSE, TWINLINE CONTROL, ASSEMBLY, E-SERIES, YEL/YEL W/BLACK STRIPE, NOMINAL 3/16" ID x 55', W/ UNIONS			
34	WH42-4	1/8" HOSE UNION			
35	WH42-4	1/4" HOSE UNION			

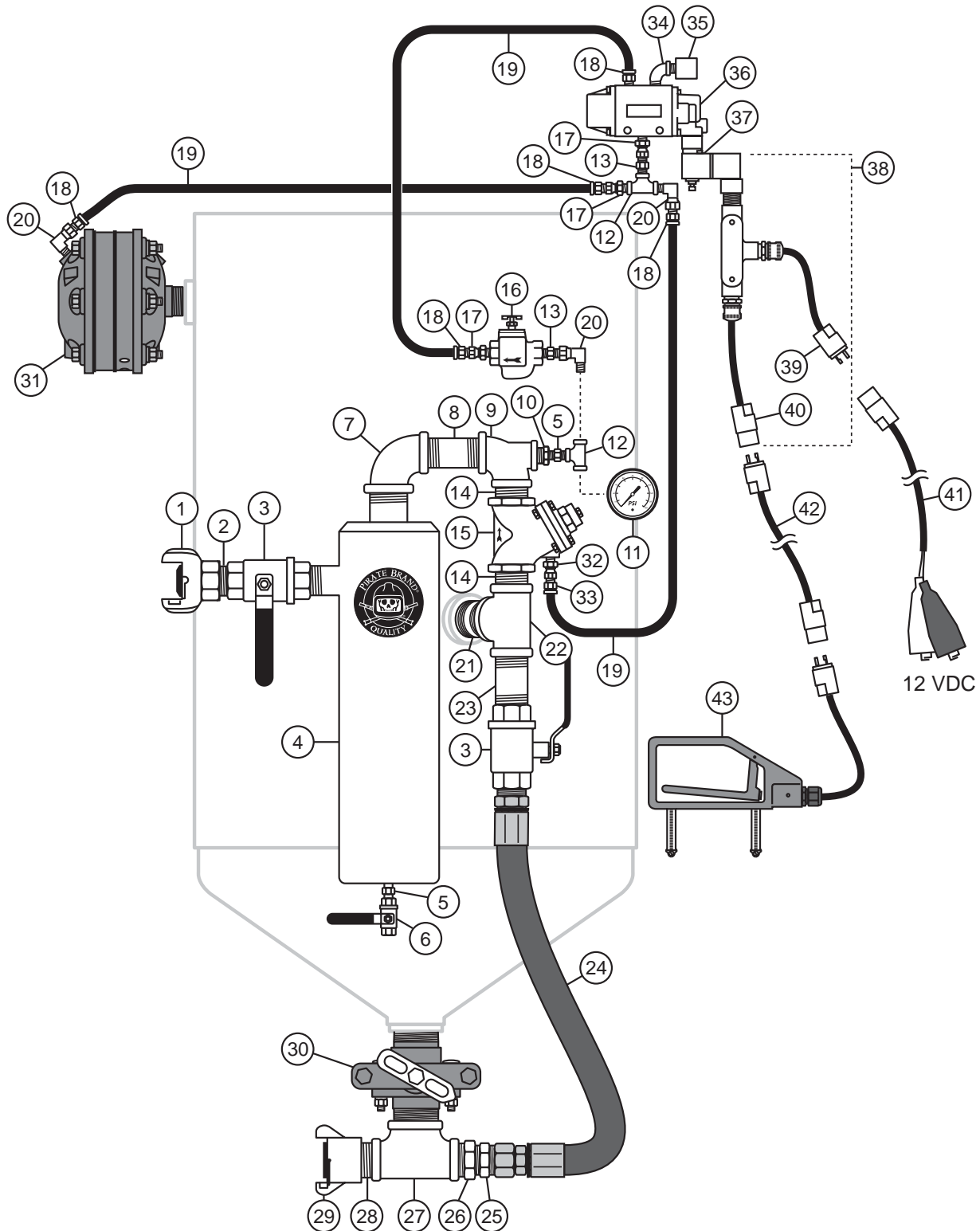
* See "Valve Parts Lists" Section for detailed parts list.

** See "Control Handle Parts Lists" Section for detailed parts list.



PIPE STRING PARTS LISTS

EPR SERIES - Electric Controls





PIPE STRING PARTS LISTS

EPR SERIES - Electric Controls

3.5 CU. FT.			6.5 CU. FT.		
1	UM-100	AIR HOSE COUPLING, 2 LUG, 1" MALE NPT	1	UF-125	AIR HOSE COUPLINGS, 4 LUG, 1-1/4" FEMALE NPT
2	NOT USED		2	888-3029-10799PB	NIPPLE, TBE, GALV, 1-1/4" x CLOSED
3	VB100	BALL VALVE, FULL PORT, 1" NPT	3	VB125	BALL VALVE, FULL PORT, 1-1/4" NPT
4	888-1200-006PB-P	MOISTURE TRAP 1" (1" INLET x 1-1/4" OUTLET, 150 CFM, POWDER COATED BLACK)	4	888-1200-007PB-P	MOISTURE TRAP 1-1/4" (1-1/4" INLET x 1-1/4" OUTLET, 150 CFM, POWDER COATED BLACK)
5	888-3031-31202PB	NIPPLE, HEX 1/4" MNPT x 1/4" MNPT			
6	VB025	BALL VALVE, FULL PORT, 1/4" NPT			
7	888-3010-10706PB	ELBOW, REDUCING, GALV, 1-1/4" x 1"	7	888-3000-107PB	ELBOW, GALV, 90°, 1-1/4"
8	888-3029-10611PB	NIPPLE, TBE, GALV, 1" x 3"	8	888-3029-10711PB	NIPPLE, TBE, GALV, 1-1/4" x 3"
9	888-3013-10604PB	TEE, GALV, 1" x 1/2" x 1"	9	888-3013-10705PB	TEE, GALV, 90°, 1-1/4" x 3/4" x 1-1/4"
10	888-3026-10402PB	BUSHING, GALV, 1/2" x 1/4"	10	888-3026-10502PB	BUSHING, GALV, 3/4" x 1/4"
11	888-2010-010PB	PRESS GAUGE, 0-160 PSI BACK MNT			
12	888-3011-102PB	TEE, GALV, 1/4"			
13	888-3031-30202PB	HEX NIPPLE 1/4" NPT x 1/4" W/BALL ST			
14	888-3029-10699PB	NIPPLE, TBE, GALV, 1" x CLOSED	14	888-3029-10799PB	NIPPLE, TBE, GALV, 1-1/4" x CLOSED
15*	888-2123-106PB	VALVE, AUTO AIR, 1", (NORMALLY CLOSED)	15*	888-2123-107PB	VALVE, AUTO AIR, 1-1/4", (NORMALLY CLOSED)
16	888-2301-90290PB	STRAINER, BRZ 1/4" 90 MICRON			
17	888-4201-50202PB	STRAIGHT SWIVEL, 1/4" MNPT x 1/4" F			
18	888-4200-30202PB	HOSE, PUSH-ON INSERT 1/4" x 1/4" NPT			
19	888-4101-002PB	HOSE, AIR, INSTA-GRIP, BLACK, NOMINAL 1/4" ID, 300 PSI			
20	888-4203-50202PB	SWIVEL 90°, 1/4" MNPT x 1/4" F			
21	888-3028-10711PB	NIPPLE, TBE, SCHEDULE 80, GALV, 1-1/4" x 3"			
22	888-3011-10607PB	TEE, GALV, 1" x 1" x 1-1/4"	22	888-3011-107PB	TEE, GALV, 1-1/4"
23	888-3029-10611PB	NIPPLE, TBE, GALV, 1" x 3"	23	888-3029-10799PB	NIPPLE, TBE, GALV, 1-1/4" x CLOSED
24	124-1670	PUSHER LINE KIT (FLEX) 1" x 20", OAL 24"	24	124-1680	PUSHER LINE KIT (FLEX) 1-1/4" x 20", OAL 24"
25	111-7200	FITTING, 1" MNPT x 1" M-FLARE	25	122-5290	FITTING, 1-1/4" MNPT x 1-1/4" M-FLARE
26	888-3026-10706PB	BUSHING, GALV, 1-1/4" x 1"			NOT USED
27	545-752	TEE, GALV, 1-1/4" x 1-1/4" x 2"			
28	888-3028-10799PB	NIPPLE, TBE, SCHEDULE 80, GALV, 1-1/4" x CLOSE			
29	SB-1S-IR	THRD CPLG, STD NPS, IRON, 1-1/4"			
30*	290-383	VALVE, PINCH, MANUAL (INCLUDES: X-TREME TUBE)			
31*	290-181	VALVE, EXHAUST, #2 (INCLUDES: X-TREME DUTY BALL)			
32	888-4201-50000PB	STRAIGHT SWIVEL, 1/8" MNPT X 1/8" F			
33	888-4200-30200PB	HOSE, PUSH-ON INSERT 1/4" x 1/8" NPT			
34	888-3006-102PB	ELBOW, STREET, 90°, GALV, 1/4"			
35	888-2013-402PB	DUST ELIMINATOR, 1/4" MNPT			
36	519-012	SOLENOID VALVE, 3-WAY, 2 POSITION, 12VDC, 1/4" NPT PORTS, 1/2" NPT CONDUIT, INCLUDES COIL (NORMALLY CLOSED)			
37	517-096	COIL, REPLACEMENT, 12VDC (FOR 519-032 & 519-012)			
38	290-500	JUNCTION TEE ASSEMBLY, E-SERIES, 12VDC (DOES NOT INCLUDE COIL)			
39	10-354	MALE TWIST-LOCK CONNECTOR, 2 PRONG			
40	10-352	FEMALE TWIST-LOCK CONNECTOR, 2 PRONG			
41	888-7172-012PB	POWER CORD, 25' 12VDC, 2-LUG			
42	888-7173-055PB	EXTN CORD W/CONNECTOR, 55', 2 PRONG, 2 WIRE			
43**	290-354	D-HANDLE CONTROL, ELECTRIC W/PLUG (DEADMAN CONTROL HANDLE)			
	290-349	PADDLE HANDLE CONTROL, ELECTRIC W/PLUG (DEADMAN CONTROL HANDLE)			

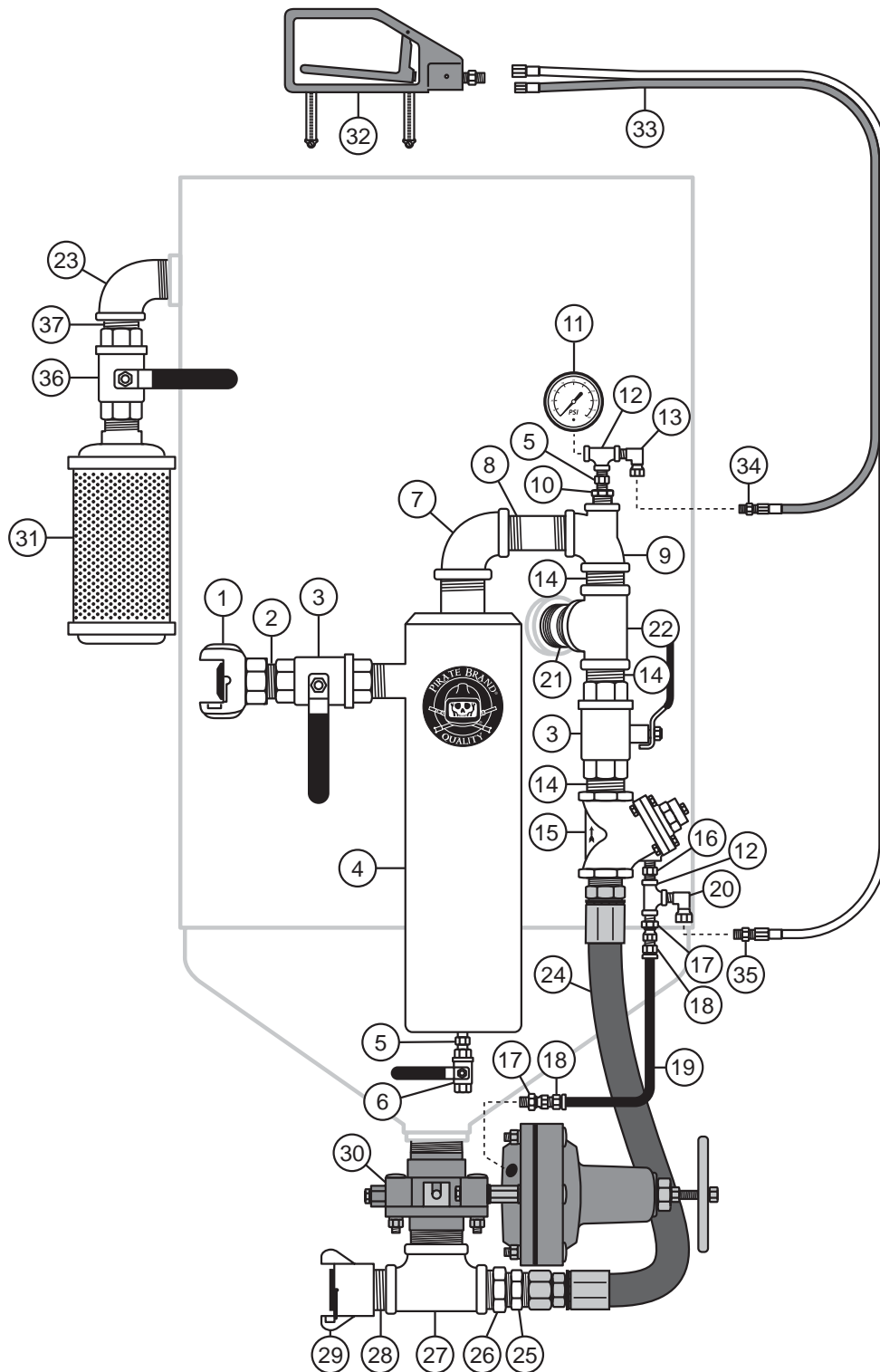
* See "Valve Parts Lists" Section for detailed parts list.

** See "Control Handle Parts Lists" Section for detailed parts list.



PIPE STRING PARTS LISTS

EPH SERIES - Pneumatic Controls





PIPE STRING PARTS LISTS

EPH SERIES - Pneumatic Controls

3.5 CU. FT.			6.5 CU. FT.		
1	UM-100	AIR HOSE COUPLING, 2 LUG, 1" MALE NPT	1	UF-125	AIR HOSE COUPLINGS, 4 LUG, 1-1/4" FEMALE NPT
2	NOT USED		2	888-3029-10799PB	NIPPLE, TBE, GALV, 1-1/4" x CLOSED
3	VB100	BALL VALVE, FULL PORT, 1" NPT	3	VB125	BALL VALVE, FULL PORT, 1-1/4" NPT
4	888-1200-006PB-P	MOISTURE TRAP 1" (1"M INLET x 1-1/4"M OUTLET, 150 CFM, POWDER COATED BLACK)	4	888-1200-007PB-P	MOISTURE TRAP 1-1/4" (1-1/4"M INLET x 1-1/4"M OUTLET, 150 CFM, POWDER COATED BLACK)
5	888-3031-31202PB	NIPPLE, HEX 1/4"MNPT x 1/4" MNPT			
6	VB025	BALL VALVE, FULL PORT, 1/4" NPT			
7	888-3010-10706PB	ELBOW, REDUCING, GALV, 1-1/4" x 1"	7	888-3000-107PB	ELBOW, GALV, 90°, 1-1/4"
8	888-3029-10611PB	NIPPLE, TBE, GALV, 1" x 3"	8	888-3029-10711PB	NIPPLE, TBE, GALV, 1-1/4" x 3"
9	888-3013-10604PB	TEE, GALV, 1" x 1/2" x 1"	9	888-3013-10705PB	TEE, GALV, 90°, 1-1/4" x 3/4" x 1-1/4"
10	888-3026-10402PB	BUSHING, GALV, 1/2" x 1/4"	10	888-3026-10502PB	BUSHING, GALV, 3/4" x 1/4"
11	888-2010-010PB	PRESS GAUGE, 0-160 PSI BACK MNT			
12	888-3011-102PB	TEE, GALV, 1/4"			
13	888-4203-50200PB	SWIVEL 90°, 1/4" MNPT x 1/8" F			
14	888-3029-10699PB	NIPPLE, TBE, GALV, 1" x CLOSED	14	888-3029-10799PB	NIPPLE, TBE, GALV, 1-1/4" x CLOSED
15*	888-2123-106PB	VALVE, AUTO AIR, 1", (NORMALLY CLOSED)	15*	888-2123-107PB	VALVE, AUTO AIR, 1-1/4", (NORMALLY CLOSED)
16	888-3031-31200PB	NIPPLE, HEX, 1/4" MNPT x 1/8" MNPT			
17	888-4201-50202PB	STRAIGHT SWIVEL, 1/4"MNPT x 1/4"F			
18	888-4200-30202PB	HOSE, PUSH-ON INSERT 1/4" x 1/4" NPT			
19	888-4101-002PB	HOSE, AIR, INSTA-GRIP, BLACK, NOMINAL 1/4" ID, 300 PSI			
20	888-4203-50202PB	SWIVEL 90°, 1/4"MNPT x 1/4"F			
21	888-3028-10711PB	NIPPLE, TBE, SCHEDULE 80, GALV, 1-1/4" x 3"			
22	888-3011-10607PB	TEE, GALV, 1" x 1" x 1-1/4"	22	888-3011-107PB	TEE, GALV, 1-1/4"
23	888-3006-106PB	ELBOW, STREET, 90°, GALV, 1"			
24	290-320	PUSHER LINE KIT (FLEX) 1" x 16", OAL 20"	24	290-321	PUSHER LINE KIT (FLEX) 1-1/4" x 24". OAL 28"
25	111-7200	FITTING, 1" MNPT x 1" M-FLARE	25	122-5290	FITTING, 1-1/4" MNPT x 1-1/4" M-FLARE
26	888-3026-10706PB	BUSHING, GALV, 1-1/4" x 1"		NOT USED	
27	545-752	TEE, GALV, 1-1/4" x 1-1/4" x 2"			
28	888-3028-10799PB	NIPPLE, TBE, SCHEDULE 80, GALV, 1-1/4" x CLOSE			
29	SB-1S-IR	THRD CPLG, STD NPS, IRON, 1-1/4"			
30*	290-215	VALVE, PINCH, AUTOMATIC (INCLUDES: X-TREME TUBE)			
31	888-2011-006PB	MUFFLER, BLOWDOWN, 1" MNPT			
32**	290-164	D-HANDLE CONTROL, PNEUMATIC (DEADMAN CONTROL HANDLE)			
	290-166	PADDLE HANDLE CONTROL, PNEUMATIC (DEADMAN CONTROL HANDLE)			
33	200-055E	HOSE, TWINLINE CONTROL, ASSEMBLY, E-SERIES, YEL/YEL W/BLACK STRIPE, NOMINAL 3/16" ID x 55', W/ UNIONS			
34	WH42-4	1/8" HOSE UNION			
35	WH42-4	1/4" HOSE UNION			
36	VB100	BALL VALVE, FULL PORT, 1" NPT			
37	888-3029-10699PB	NIPPLE, TBE, GALV, 1" x CLOSED			

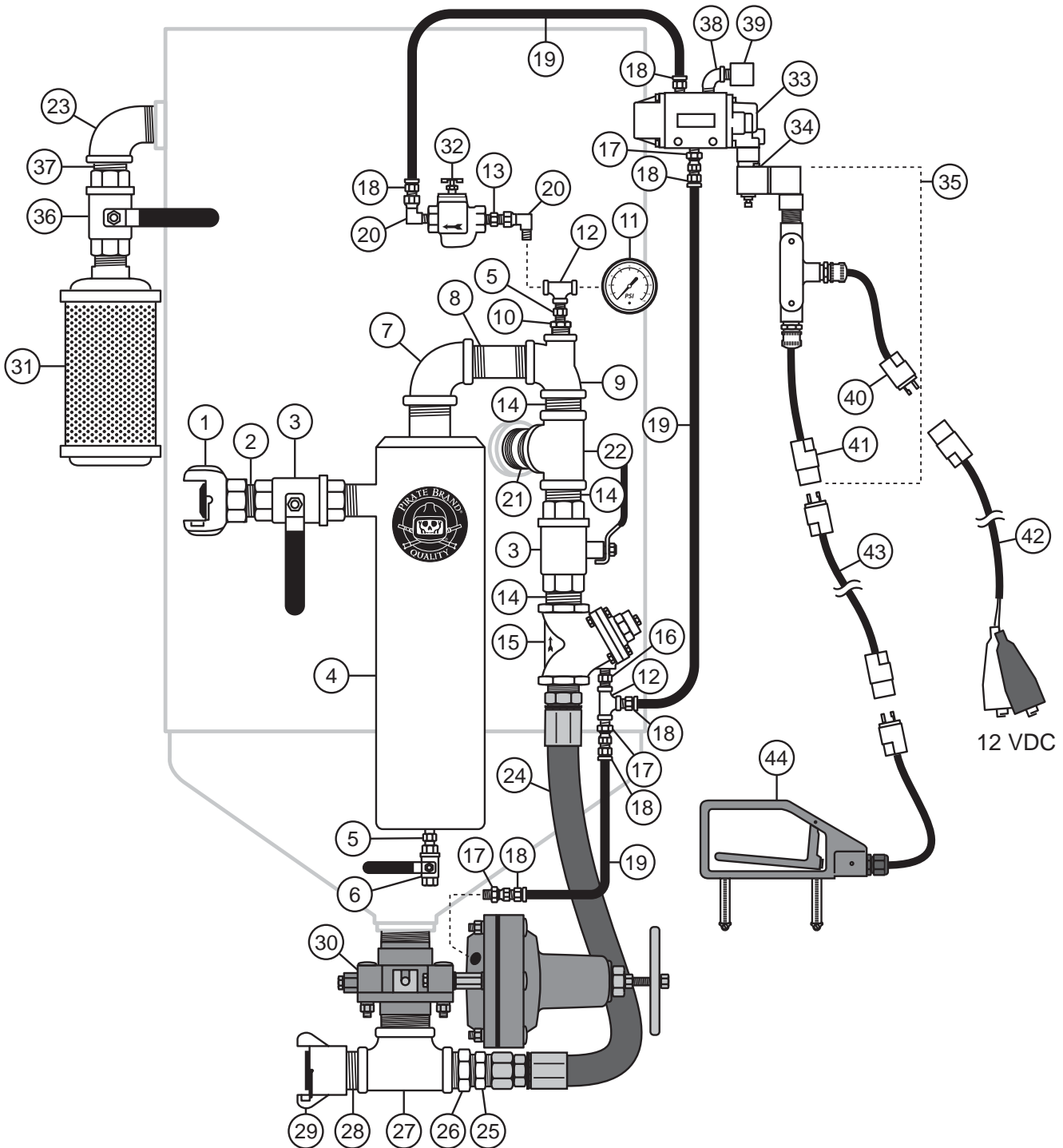
* See "Valve Parts Lists" Section for detailed parts list.

** See "Control Handle Parts Lists" Section for detailed parts list.



PIPE STRING PARTS LISTS

EPH SERIES - Electric Controls





PIPE STRING PARTS LISTS

EPH SERIES - Electric Controls

3.5 CU. FT.			6.5 CU. FT.		
1	UM-100	AIR HOSE COUPLING, 2 LUG, 1" MALE NPT	1	UF-125	AIR HOSE COUPLINGS, 4 LUG, 1-1/4" FEMALE NPT
2	NOT USED		2	888-3029-10799PB	NIPPLE, TBE, GALV, 1-1/4" x CLOSED
3	VB100	BALL VALVE, FULL PORT, 1" NPT	3	VB125	BALL VALVE, FULL PORT, 1-1/4" NPT
4	888-1200-006PB-P	MOISTURE TRAP 1" (1" INLET x 1-1/4" M OUTLET, 150 CFM, POWDER COATED BLACK)	4	888-1200-007PB-P	MOISTURE TRAP 1-1/4" (1-1/4" M INLET x 1-1/4" M OUTLET, 150 CFM, POWDER COATED BLACK)
5	888-3031-31202PB	NIPPLE, HEX 1/4" MNPT x 1/4" MNPT			
6	VB025	BALL VALVE, FULL PORT, 1/4" NPT			
7	888-3010-10706PB	ELBOW, REDUCING, GALV, 1-1/4" x 1"	7	888-3000-107PB	ELBOW, GALV, 90°, 1-1/4"
8	888-3029-10611PB	NIPPLE, TBE, GALV, 1" x 3"	8	888-3029-10711PB	NIPPLE, TBE, GALV, 1-1/4" x 3"
9	888-3013-10604PB	TEE, GALV, 1" x 1/2" x 1"	9	888-3013-10705PB	TEE, GALV, 90°, 1-1/4" x 3/4" x 1-1/4"
10	888-3026-10402PB	BUSHING, GALV, 1/2" x 1/4"	10	888-3026-10502PB	BUSHING, GALV, 3/4" x 1/4"
11	888-2010-010PB	PRESS GAUGE, 0-160 PSI BACK MNT			
12	888-3011-102PB	TEE, GALV, 1/4"			
13	888-3031-30202PB	HEX NIPPLE 1/4" NPT x 1/4" W/BALL ST			
14	888-3029-10699PB	NIPPLE, TBE, GALV, 1" x CLOSED	14	888-3029-10799PB	NIPPLE, TBE, GALV, 1-1/4" x CLOSED
15*	888-2123-106PB	VALVE, AUTO AIR, 1", (NORMALLY CLOSED)	15*	888-2123-107PB	VALVE, AUTO AIR, 1-1/4", (NORMALLY CLOSED)
16	888-3031-31200PB	NIPPLE, HEX, 1/4" MNPT x 1/8" MNPT			
17	888-4201-50202PB	STRAIGHT SWIVEL, 1/4" MNPT x 1/4" F			
18	888-4200-30202PB	HOSE, PUSH-ON INSERT 1/4" x 1/4" NPT			
19	888-4101-002PB	HOSE, AIR, INSTA-GRIP, BLACK, NOMINAL 1/4" ID, 300 PSI			
20	888-4203-50202PB	SWIVEL 90°, 1/4" MNPT x 1/4" F			
21	888-3028-10711PB	NIPPLE, TBE, SCHEDULE 80, GALV, 1-1/4" x 3"			
22	888-3011-10607PB	TEE, GALV, 1" x 1" x 1-1/4"	22	888-3011-107PB	TEE, GALV, 1-1/4"
23	888-3006-106PB	ELBOW, STREET, 90°, GALV, 1"			
24	290-320	PUSHER LINE KIT (FLEX) 1" x 16", OAL 20"	24	290-321	PUSHER LINE KIT (FLEX) 1-1/4" x 24". OAL 28"
25	111-7200	FITTING, 1" MNPT x 1" M-FLARE	25	122-5290	FITTING, 1-1/4" MNPT x 1-1/4" M-FLARE
26	888-3026-10706PB	BUSHING, GALV, 1-1/4" x 1"			NOT USED
27	545-752	TEE, GALV, 1-1/4" x 1-1/4" x 2"			
28	888-3028-10799PB	NIPPLE, TBE, SCHEDULE 80, GALV, 1-1/4" x CLOSE			
29	SB-1S-IR	THRD CPLG, STD NPS, IRON, 1-1/4"			
30*	290-215	VALVE, PINCH, AUTOMATIC (INCLUDES: X-TREME TUBE)			
31	888-2011-006PB	MUFFLER, BLOWDOWN, 1" MNPT			
32	888-2301-90290PB	STRAINER, BRZ 1/4" 90 MICRON			
33	519-012	SOLENOID VALVE, 3-WAY, 2 POSITION, 12VDC, 1/4" NPT PORTS, 1/2" NPT CONDUIT (NORMALLY CLOSED)			
34	517-096	COIL, REPLACEMENT, 12VDC (FOR 519-032 & 519-012)			
35	290-500	JUNCTION TEE ASSEMBLY, E-SERIES, 12VDC (DOES NOT INCLUDE COIL)			
36	VB100	BALL VALVE, FULL PORT, 1" NPT			
37	888-3029-10699PB	NIPPLE, TBE, GALV, 1" x CLOSED			
38	888-3006-102PB	ELBOW, STREET, 90°, GALV, 1/4"			
39	888-2013-402PB	DUST ELIMINATOR, 1/4" MNPT			
40	10-354	MALE TWIST-LOCK CONNECTOR, 2 PRONG			
41	10-352	FEMALE TWIST-LOCK CONNECTOR, 2 PRONG			
42	888-7172-012PB	POWER CORD, 25' 12VDC, 2-LUG			
43	888-7173-055PB	EXTN CORD W/CONNECTOR, 55', 2 PRONG, 2 WIRE			
44**	290-354	D-HANDLE CONTROL, ELECTRIC W/PLUG (DEADMAN CONTROL HANDLE)			
	290-349	PADDLE HANDLE CONTROL, ELECTRIC W/PLUG (DEADMAN CONTROL HANDLE)			

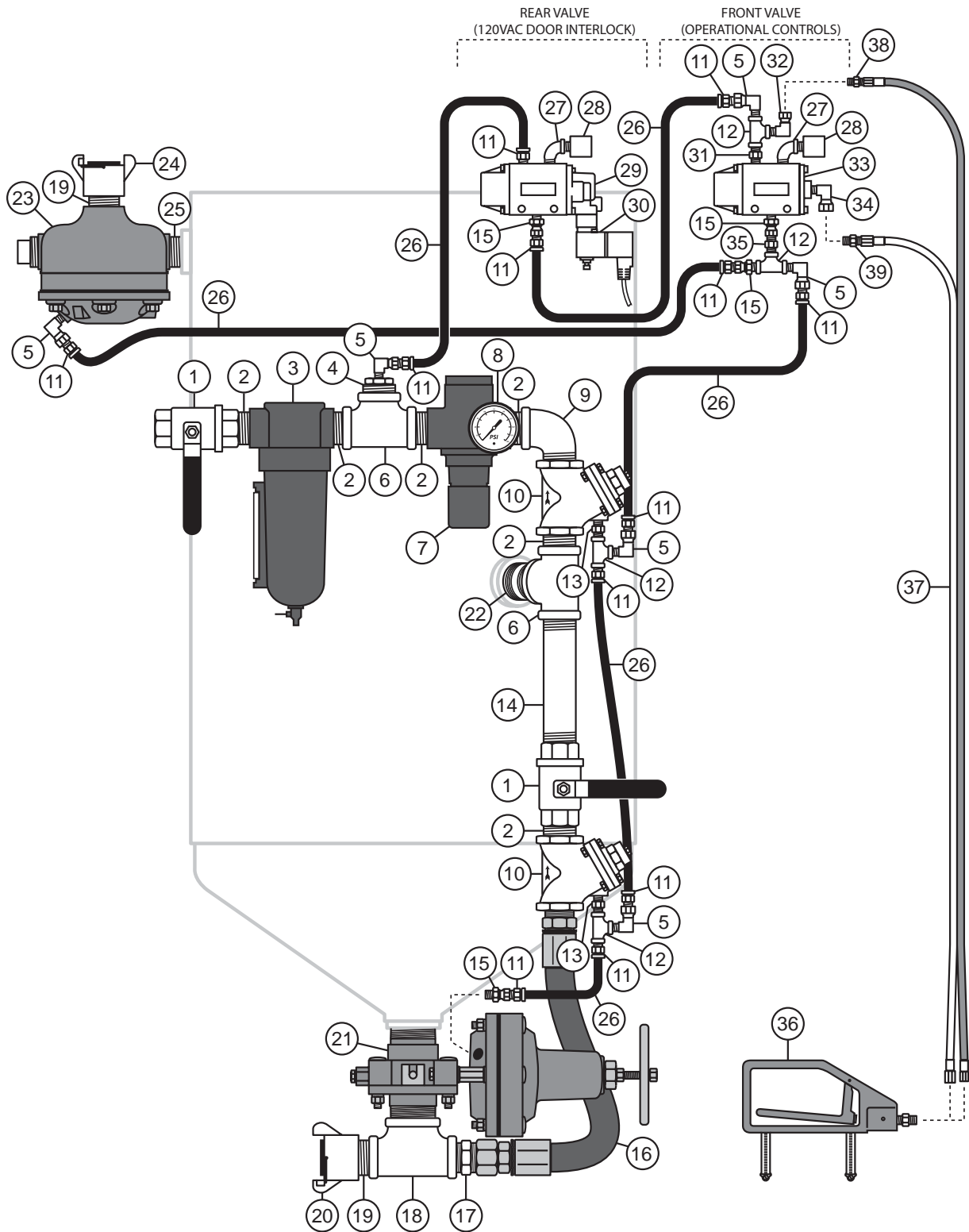
* See "Valve Parts Lists" Section for detailed parts list.

** See "Control Handle Parts Lists" Section for detailed parts list.



PIPE STRING PARTS LISTS

EPR BLAST ROOM SERIES - Pneumatic Controls





☠ PIPE STRING PARTS LISTS ☠

EPR BLAST ROOM SERIES - Pneumatic Controls

1	VB125	BALL VALVE, FULL PORT, 1-1/4" NPT
2	888-3029-10799PB	NIPPLE, TBE, GALV, 1-1/4" x CLOSED
3	888-2302-20750PB	AIR FILTER, 1-1/4" 50 MICRON MB/SG/MD
4	888-3026-10702PB	BUSHING, GALV, 1-1/4" x 1/4"
5	888-4203-50202	SWIVEL 90°, 1/4"MNPT x 1/4"F
6	888-3011-107PB	TEE, GALV, 1-1/4"
7	888-2003-007PB	REGULATOR 1-1/4" NON-RELIEVING (440 SCFM)
8	888-2010-010PB	PRESS GAUGE, 0-160 PSI BACK MNT
9	888-3006-107PB	ELBOW, STREET, 90°, GALV, 1-1/4"
10	888-2123-107PB	VALVE, AUTO AIR, 1-1/4", (NORMALLY CLOSED)
11	888-4200-30202PB	HOSE, PUSH-ON INSERT 1/4" x 1/4" NPT
12	888-3011-102PB	TEE, GALV, 1/4"
13	888-3031-31200PB	NIPPLE, HEX, 1/4" MNPT x 1/8" MNPT
14	888-3029-10719PB	NIPPLE, TBE, GALV, 1-1/4" x 9"
15	888-4201-50202PB	STRAIGHT SWIVEL, 1/4"MNPT x 1/4"F
16	290-319	PUSHER LINE KIT (FLEX) 1-1/4" x 18", OAL 22"
17	122-5290	FITTING, 1-1/4" MNPT x 1-1/4" M-FLARE
18	545-752	TEE, GALV, 1-1/4" x 1-1/4" x 2"
19	888-3028-10799PB	NIPPLE, TBE, SCHEDULE 80, GALV, 1-1/4" x CLOSE
20	SB-1S-IR	THRD CPLG, STD NPS, IRON, 1-1/4"
21*	290-215	VALVE, PINCH, AUTOMATIC (INCLUDES: X-TREME TUBE)
22	888-3028-10711PB	NIPPLE, TBE, SCHEDULE 80, GALV, 1-1/4" x 3"
23*	290-182-R	VALVE, EXHAUST, #8 W/ 5/16" BORON NOZZLE & ALUMINUM COUPLING (INCLUDES: X-TREME DUTY BALL)
24	SB-1S-AL	THRD CPLG, STD NPS, ALUMINUM, 1-1/4", 150 PSI MAX
25	888-3028-10699PB	NIPPLE, TBE, SCHEDULE 80, GALV, 1" x CLOSED
26	888-4101-002PB	HOSE, AIR, INSTA-GRIP, BLACK, NOMINAL 1/4" ID, 300 PSI
27	888-3006-102PB	ELBOW, STREET, 90°, GALV, 1/4"
28	888-2013-402PB	DUST ELIMINATOR, 1/4" MNPT
29	519-042	SOLENOID VALVE, 3-WAY 2 POSITION, 120VAC W/CORD (NORMALLY CLOSED)
30	517-086	COIL, REPLACEMENT, 120VAC (FOR 519-042)
31	888-3031-31202PB	NIPPLE, HEX 1/4"MNPT x 1/4" MNPT
32	888-4203-50200PB	SWIVEL 90°, 1/4" MNPT x 1/8" F
33	519-011	VALVE, CONTROL, PNEUMATIC, 3-WAY (NORMALLY CLOSED OR NORMALLY OPEN)
34	888-4203-50002PB	SWIVEL 90°, 1/8" MNPT x 1/4" F
35	888-3031-30202PB	HEX NIPPLE 1/4" NPT x 1/4" W/BALL ST
36**	290-164	D-HANDLE CONTROL, PNEUMATIC (DEADMAN CONTROL HANDLE)
	290-166	PADDLE HANDLE CONTROL, PNEUMATIC (DEADMAN CONTROL HANDLE)
37	200-110E	HOSE, TWINLINE CONTROL, ASSEMBLY, E-SERIES, YEL/YEL W/BLACK STRIPE, NOMINAL 3/16" ID x 110', W/ UNIONS
38	WH42-4	1/8" HOSE UNION
39	WH42-4	1/4" HOSE UNION

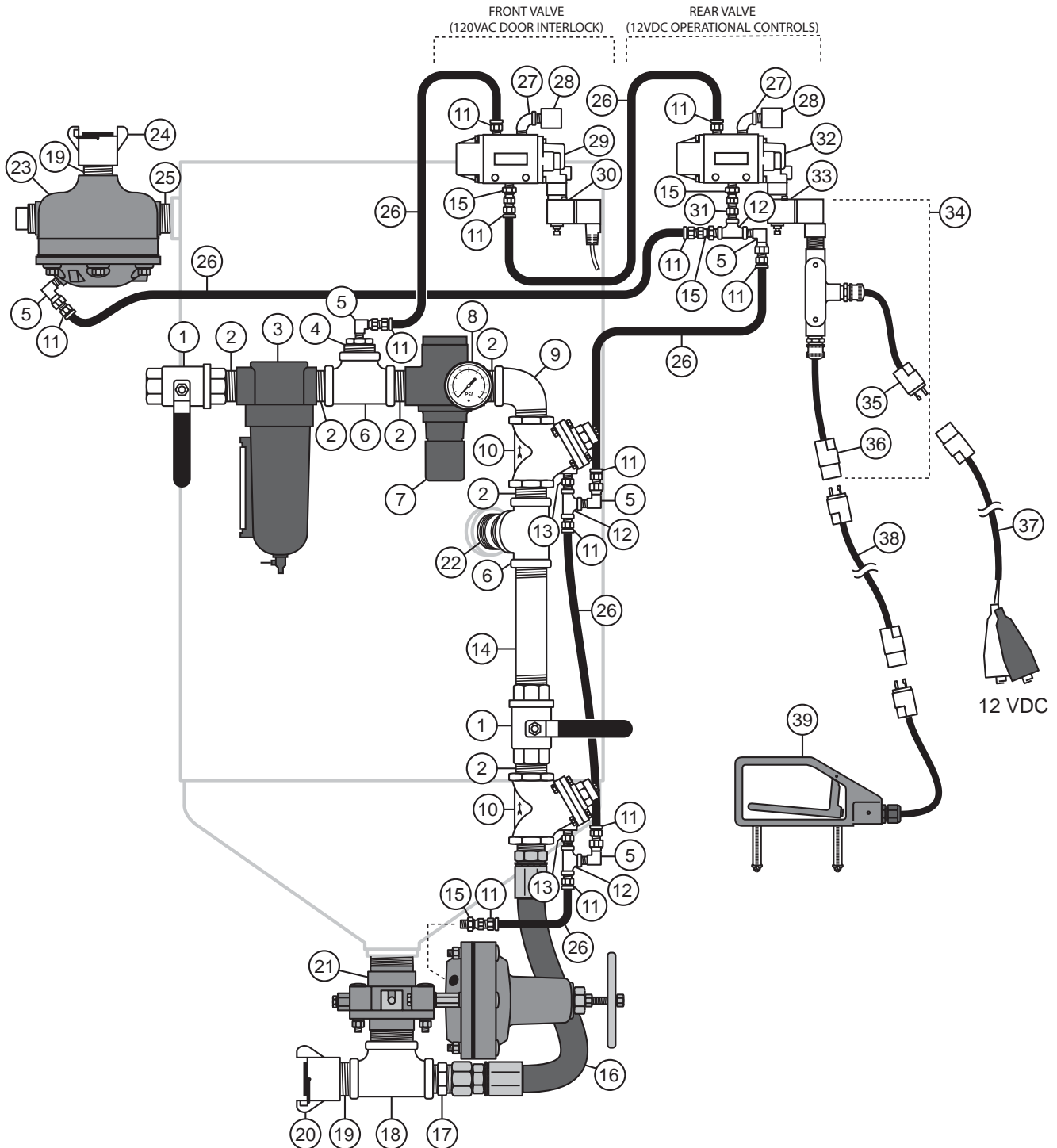
* See "Valve Parts Lists" Section for detailed parts list.

** See "Control Handle Parts Lists" Section for detailed parts list.



PIPE STRING PARTS LISTS

EPR BLAST ROOM SERIES - Electric Controls





PIPE STRING PARTS LISTS

EPR BLAST ROOM SERIES - Electric Controls

1	VB125	BALL VALVE, FULL PORT, 1-1/4" NPT
2	888-3029-10799PB	NIPPLE, TBE, GALV, 1-1/4" x CLOSED
3	888-2302-20750PB	AIR FILTER, 1-1/4" 50 MICRON MB/SG/MD
4	888-3026-10702PB	BUSHING, GALV, 1-1/4" x 1/4"
5	888-4203-50202	SWIVEL 90°, 1/4"MNPT x 1/4"F
6	888-3011-107PB	TEE, GALV, 1-1/4"
7	888-2003-007PB	REGULATOR 1-1/4" NON-RELIEVING (440 SCFM)
8	888-2010-010PB	PRESS GAUGE, 0-160 PSI BACK MNT
9	888-3006-107PB	ELBOW, STREET, 90°, GALV, 1-1/4"
10	888-2123-107PB	VALVE, AUTO AIR, 1-1/4", (NORMALLY CLOSED)
11	888-4200-30202PB	HOSE, PUSH-ON INSERT 1/4" x 1/4" NPT
12	888-3011-102PB	TEE, GALV, 1/4"
13	888-3031-31200PB	NIPPLE, HEX, 1/4" MNPT x 1/8" MNPT
14	888-3029-10719PB	NIPPLE, TBE, GALV, 1-1/4" x 9"
15	888-4201-50202PB	STRAIGHT SWIVEL, 1/4"MNPT x 1/4"F
16	290-319	PUSHER LINE KIT (FLEX) 1-1/4" x 18", OAL 22"
17	122-5290	FITTING, 1-1/4" MNPT x 1-1/4" M-FLARE
18	545-752	TEE, GALV, 1-1/4" x 1-1/4" x 2"
19	888-3028-10799PB	NIPPLE, TBE, SCHEDULE 80, GALV, 1-1/4" x CLOSE
20	SB-1S-IR	THRD CPLG, STD NPS, IRON, 1-1/4"
21*	290-215	VALVE, PINCH, AUTOMATIC (INCLUDES: X-TREME TUBE)
22	888-3028-10711PB	NIPPLE, TBE, SCHEDULE 80, GALV, 1-1/4" x 3"
23*	290-182-R	VALVE, EXHAUST, #8 W/ 5/16" BORON NOZZLE & ALUMINUM COUPLING (INCLUDES: X-TREME DUTY BALL)
24	SB-1S-AL	THRD CPLG, STD NPS, ALUMINUM, 1-1/4", 150 PSI MAX
25	888-3028-10699PB	NIPPLE, TBE, SCHEDULE 80, GALV, 1" x CLOSED
26	888-4101-002PB	HOSE, AIR, INSTA-GRIP, BLACK, NOMINAL 1/4" ID, 300 PSI
27	888-3006-102PB	ELBOW, STREET, 90°, GALV, 1/4"
28	888-2013-402PB	DUST ELIMINATOR, 1/4" MNPT
29	519-042	SOLENOID VALVE, 3-WAY 2 POSITION, 120VAC W/CORD (NORMALLY CLOSED)
30	517-086	COIL,REPLACEMENT, 120VAC (FOR 519-042)
31	888-3031-30202PB	HEX NIPPLE 1/4" NPT x 1/4" W/BALL ST
32	519-012	SOLENOID VALVE, 3-WAY, 2 POSITION, 12VDC, 1/4" NPT PORTS, 1/2" NPT CONDUIT (NORMALLY CLOSED)
33	517-096	COIL,REPLACEMENT, 12VDC (FOR 519-032 & 519-012)
34	290-500	JUNCTION TEE ASSEMBLY, E-SERIES, 12VDC (DOES NOT INCLUDE COIL)
35	10-354	MALE TWIST-LOCK CONNECTOR, 2 PRONG
36	10-352	FEMALE TWIST-LOCK CONNECTOR, 2 PRONG
37	888-7172-012PB	POWER CORD, 25' 12VDC, 2-LUG
38	888-7173-110PB	EXTN CORD W/CONNECTOR, 110', 2 PRONG, 2 WIRE
39**	290-354	D-HANDLE CONTROL, ELECTRIC W/PLUG (DEADMAN CONTROL HANDLE)
	290-349	PADDLE HANDLE CONTROL, ELECTRIC W/PLUG (DEADMAN CONTROL HANDLE)

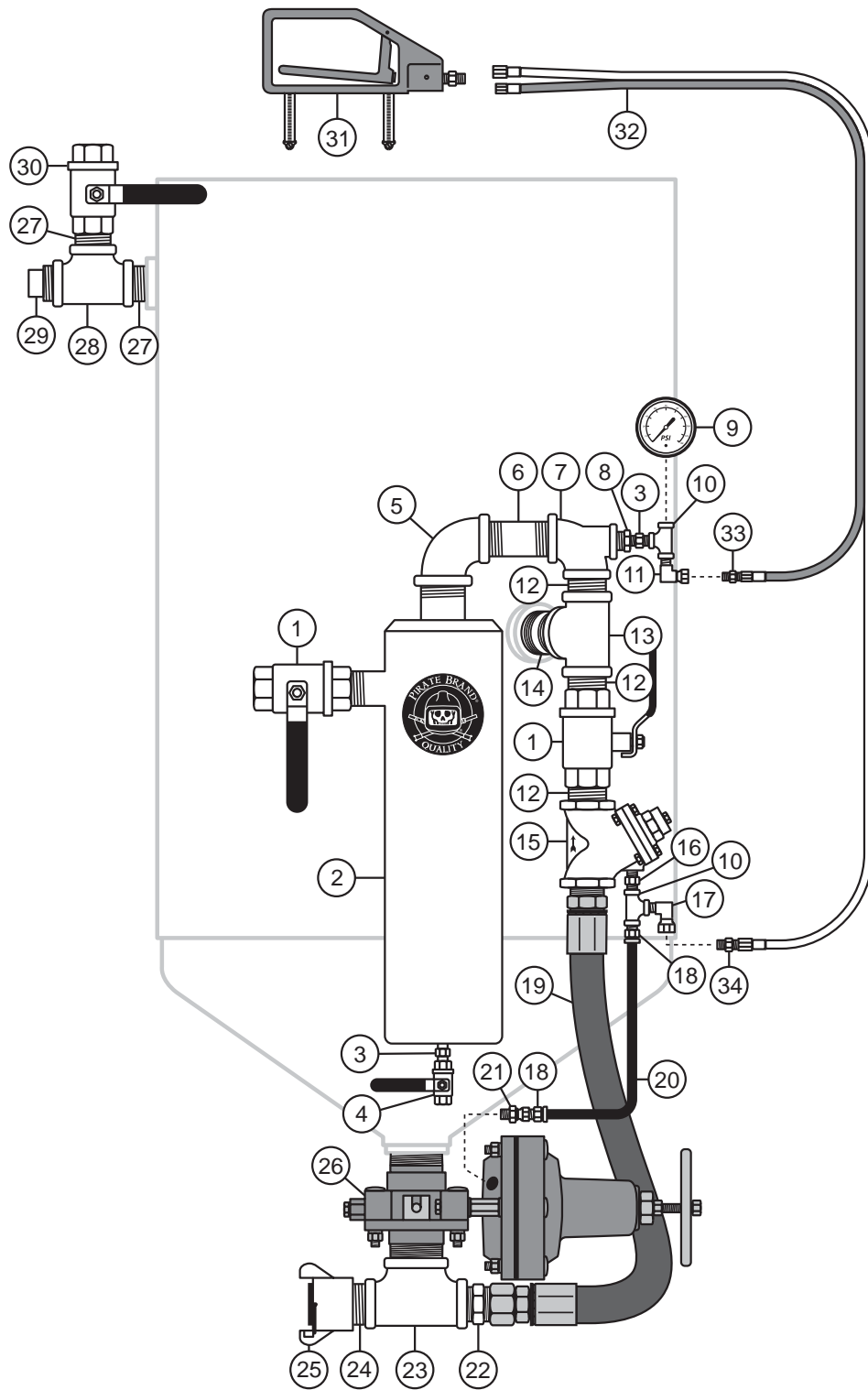
* See "Valve Parts Lists" Section for detailed parts list.

** See "Control Handle Parts Lists" Section for detailed parts list.



PIPE STRING PARTS LISTS

EPH BLAST ROOM SERIES - Pneumatic Controls





☠ PIPE STRING PARTS LISTS ☠

EPH BLAST ROOM SERIES - Pneumatic Controls

1	VB125	BALL VALVE, FULL PORT, 1-1/4" NPT
2	888-1200-007PB-P	MOISTURE TRAP 1-1/4" (1-1/4"M INLET x 1-1/4"M OUTLET, 150 CFM, POWDER COATED BLACK)
3	888-3031-31202PB	NIPPLE, HEX 1/4"MNPT x 1/4" MNPT
4	VB025	BALL VALVE, FULL PORT, 1/4" NPT
5	888-3000-107PB	ELBOW, GALV, 90°, 1-1/4"
6	888-3029-10711PB	NIPPLE, TBE, GALV, 1-1/4" x 3"
7	888-3013-10705PB	TEE, GALV, 90°, 1-1/4" x 3/4" x 1-1/4"
8	888-3026-10502PB	BUSHING, GALV, 3/4" x 1/4"
9	888-2010-010PB	PRESS GAUGE, 0-160 PSI BACK MNT
10	888-3011-102PB	TEE, GALV, 1/4"
11	888-4203-50200PB	SWIVEL 90°, 1/4" MNPT x 1/8" F
12	888-3029-10799PB	NIPPLE, TBE, GALV, 1-1/4" x CLOSED
13	888-3011-107PB	TEE, GALV, 1-1/4"
14	888-3028-10711PB	NIPPLE, TBE, SCHEDULE 80, GALV, 1-1/4" x 3"
15	888-2123-107PB	VALVE, AUTO AIR, 1-1/4", (NORMALLY CLOSED)
16	888-3031-31200PB	NIPPLE, HEX, 1/4" MNPT x 1/8" MNPT
17	888-4203-50202PB	SWIVEL 90°, 1/4"MNPT x 1/4"F
18	888-4200-30202PB	HOSE, PUSH-ON INSERT 1/4" x 1/4" NPT
19	290-321	PUSHER LINE KIT (FLEX) 1-1/4" x 24". OAL 28"
20	888-4101-002PB	HOSE, AIR, INSTA-GRIP, BLACK, NOMINAL 1/4" ID, 300 PSI
21	888-4201-50202PB	STRAIGHT SWIVEL, 1/4"MNPT x 1/4"F
22	122-5290	FITTING, 1-1/4" MNPT x 1-1/4" M-FLARE
23	545-752	TEE, GALV, 1-1/4" x 1-1/4" x 2"
24	888-3028-10799PB	NIPPLE, TBE, SCHEDULE 80, GALV, 1-1/4" x CLOSE
25	SB-1S-IR	THRD CPLG, STD NPS, IRON, 1-1/4"
26*	290-215	VALVE, PINCH, AUTOMATIC (INCLUDES: X-TREME TUBE)
27	888-3029-10699PB	NIPPLE, TBE, GALV, 1" x CLOSED
28	888-3011-106PB	TEE, GALV, 1"
29	888-3014-106PB	PIPE PLUG, GALV, 1"
30	VB100	BALL VALVE, FULL PORT, 1" NPT
31**	290-164	D-HANDLE CONTROL, PNEUMATIC (DEADMAN CONTROL HANDLE)
	290-166	PADDLE HANDLE CONTROL, PNEUMATIC (DEADMAN CONTROL HANDLE)
32	200-110E	HOSE, TWINLINE CONTROL, ASSEMBLY, E-SERIES, YEL/YEL W/BLACK STRIPE, NOMINAL 3/16" ID x 110', W/ UNIONS
33	WH42-4	1/8" HOSE UNION
34	WH42-4	1/4" HOSE UNION

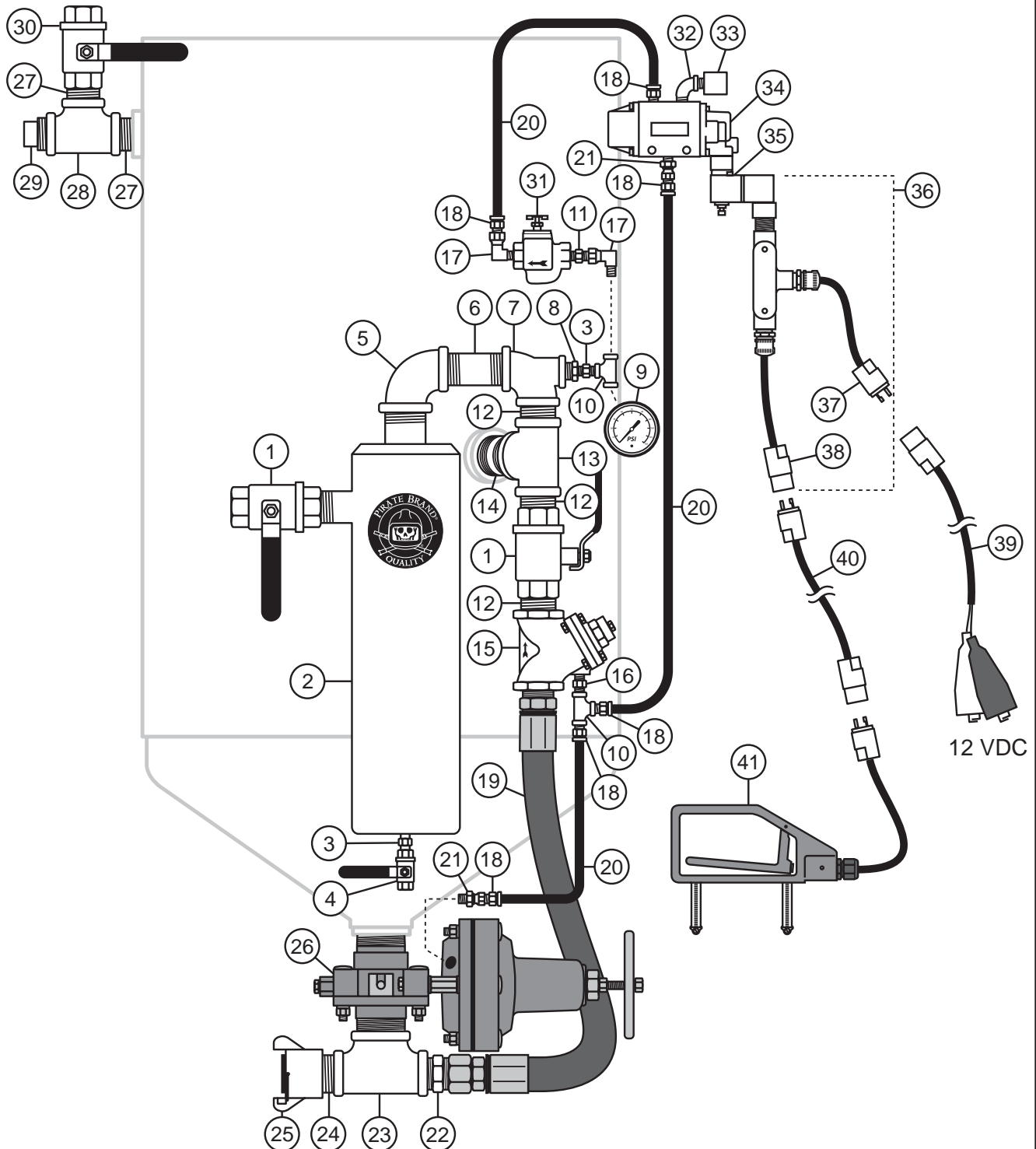
* See "Valve Parts Lists" Section for detailed parts list.

** See "Control Handle Parts Lists" Section for detailed parts list.



PIPE STRING PARTS LISTS

EPH BLAST ROOM SERIES - Electric Controls





☠ PIPE STRING PARTS LISTS ☠

EPH BLAST ROOM SERIES - Electric Controls

1	VB125	BALL VALVE, FULL PORT, 1-1/4" NPT
2	888-1200-007PB-P	MOISTURE TRAP 1-1/4" (1-1/4"M INLET x 1-1/4"M OUTLET, 150 CFM, POWDER COATED BLACK)
3	888-3031-31202PB	NIPPLE, HEX 1/4"MNPT x 1/4" MNPT
4	VB025	BALL VALVE, FULL PORT, 1/4" NPT
5	888-3000-107PB	ELBOW, GALV, 90°, 1-1/4"
6	888-3029-10711PB	NIPPLE, TBE, GALV, 1-1/4" x 3"
7	888-3013-10705PB	TEE, GALV, 90°, 1-1/4" x 3/4" x 1-1/4"
8	888-3026-10502PB	BUSHING, GALV, 3/4" x 1/4"
9	888-2010-010PB	PRESS GAUGE, 0-160 PSI BACK MNT
10	888-3011-102PB	TEE, GALV, 1/4"
11	888-3031-30202PB	HEX NIPPLE 1/4" NPT x 1/4" W/BALL ST
12	888-3029-10799PB	NIPPLE, TBE, GALV, 1-1/4" x CLOSED
13	888-3011-107PB	TEE, GALV, 1-1/4"
14	888-3028-10711PB	NIPPLE, TBE, SCHEDULE 80, GALV, 1-1/4" x 3"
15	888-2123-107PB	VALVE, AUTO AIR, 1-1/4", (NORMALLY CLOSED)
16	888-3031-31200PB	NIPPLE, HEX, 1/4" MNPT x 1/8" MNPT
17	888-4203-50202PB	SWIVEL 90°, 1/4"MNPT x 1/4"F
18	888-4200-30202PB	HOSE, PUSH-ON INSERT 1/4" x 1/4" NPT
19	290-321	PUSHER LINE KIT (FLEX) 1-1/4" x 24". OAL 28"
20	888-4101-002PB	HOSE, AIR, INSTA-GRIP, BLACK, NOMINAL 1/4" ID, 300 PSI
21	888-4201-50202PB	STRAIGHT SWIVEL, 1/4"MNPT x 1/4"F
22	122-5290	FITTING, 1-1/4" MNPT x 1-1/4" M-FLARE
23	545-752	TEE, GALV, 1-1/4" x 1-1/4" x 2"
24	888-3028-10799PB	NIPPLE, TBE, SCHEDULE 80, GALV, 1-1/4" x CLOSE
25	SB-1S-IR	THRD CPLG, STD NPS, IRON, 1-1/4"
26*	290-215	VALVE, PINCH, AUTOMATIC (INCLUDES: X-TREME TUBE)
27	888-3029-10699PB	NIPPLE, TBE, GALV, 1" x CLOSED
28	888-3011-106PB	TEE, GALV, 1"
29	888-3014-106PB	PIPE PLUG, GALV, 1"
30	VB100	BALL VALVE, FULL PORT, 1" NPT
31	888-2301-90290PB	STRAINER, BRZ 1/4" 90 MICRON
32	888-3006-102PB	ELBOW, STREET, 90°, GALV, 1/4"
33	888-2013-402PB	DUST ELIMINATOR, 1/4" MNPT
34	519-012	SOLENOID VALVE, 3-WAY, 2 POSITION, 12VDC, 1/4" NPT PORTS, 1/2" NPT CONDUIT (NORMALLY CLOSED)
35	517-096	COIL, REPLACEMENT, 12VDC (FOR 519-032 & 519-012)
36	290-500	JUNCTION TEE ASSEMBLY, E-SERIES, 12VDC (DOES NOT INCLUDE COIL)
37	10-354	MALE TWIST-LOCK CONNECTOR, 2 PRONG
38	10-352	FEMALE TWIST-LOCK CONNECTOR, 2 PRONG
39	888-7172-012PB	POWER CORD, 25' 12VDC, 2-LUG
40	888-7173-110PB	EXTN CORD W/CONNECTOR, 110', 2 PRONG, 2 WIRE
41**	290-354	D-HANDLE CONTROL, ELECTRIC W/PLUG (DEADMAN CONTROL HANDLE)
	290-349	PADDLE HANDLE CONTROL, ELECTRIC W/PLUG (DEADMAN CONTROL HANDLE)

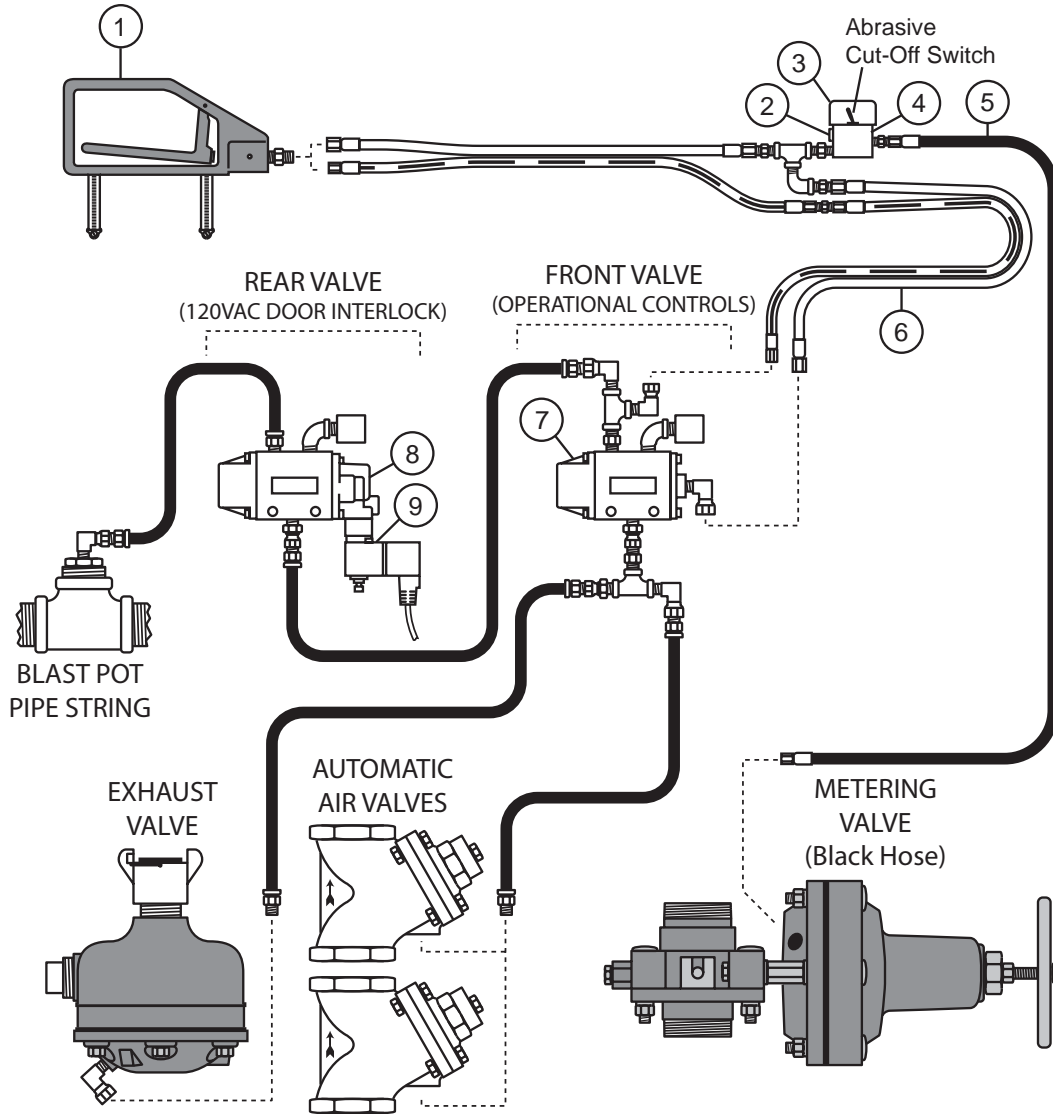
* See "Valve Parts Lists" Section for detailed parts list.

** See "Control Handle Parts Lists" Section for detailed parts list.



PIPE STRING PARTS LISTS

EPR SERIES - Pneumatic Abrasive Cut-Off Controls



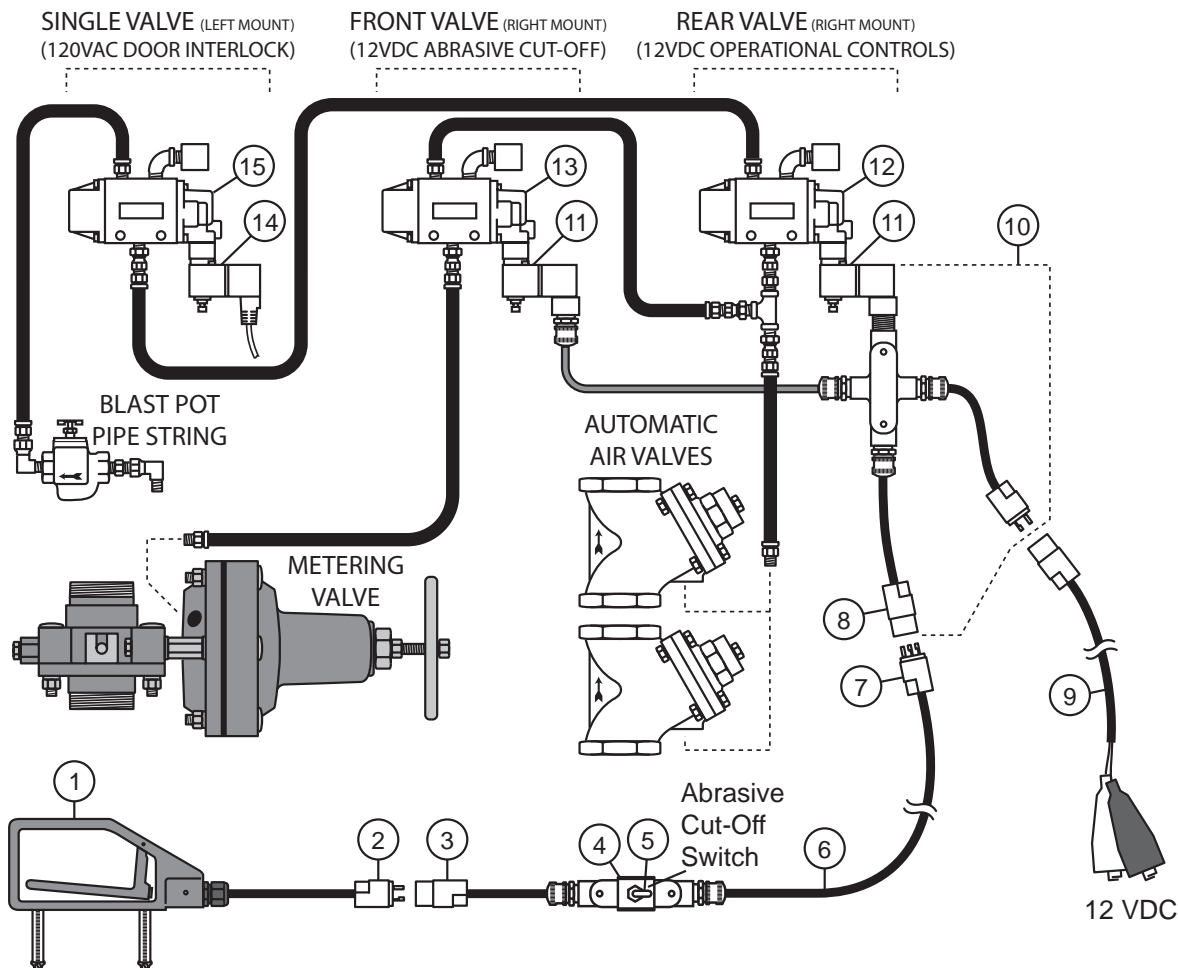
1**	290-164	D-HANDLE CONTROL, PNEUMATIC (DEADMAN CONTROL HANDLE)
	290-166	PADDLE HANDLE CONTROL, PNEUMATIC (DEADMAN CONTROL HANDLE)
2	888-2014-300PB	VENT, 1/8"
3	888-2025-10001PB	TOGGLE SWITCH GUARD
4	107-6580	VALVE, CONTRACTOR, ACS 3-WAY MANUAL, 1/8"
5	290-625	110' SINGLELINE ABRASIVE CUT-OFF CONTROL HOSE ASSEMBLY FOR E-SERIES BLASTERS
6	200-110E	HOSE, TWINLINE CONTROL, ASSEMBLY, E-SERIES, YEL/YEL W/BLACK STRIPE, NOMINAL 3/16" ID x 110', W/ UNIONS
7	519-011	VALVE, CONTROL, PNEUMATIC, 3-WAY (NORMALLY CLOSED OR NORMALLY OPEN)
8	519-042	SOLENOID VALVE, 3-WAY 2 POSITION, 120VAC W/CORD (NORMALLY CLOSED)
9	517-086	COIL, REPLACEMENT, 120VAC (FOR 519-042)

** See "Control Handle Parts Lists" Section for detailed parts list.



PIPE STRING PARTS LISTS

EPR SERIES - Electric Abrasive Cut-Off Controls



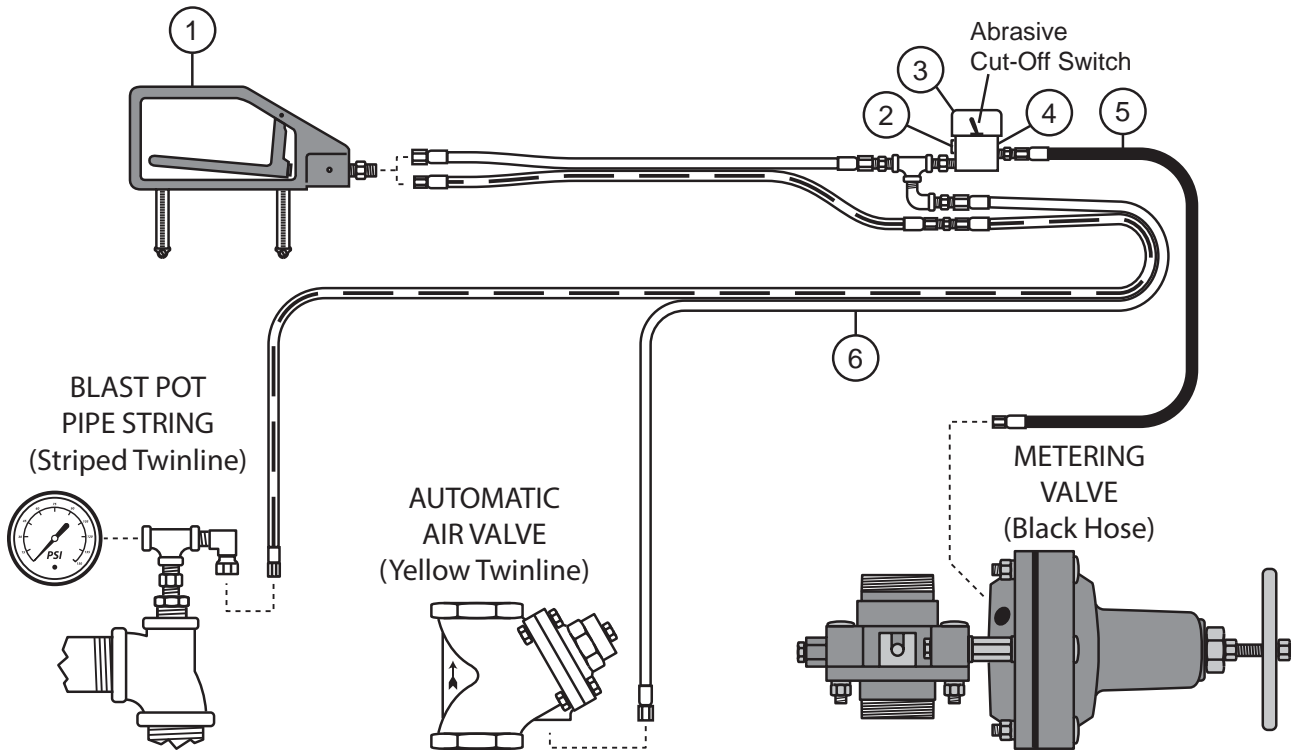
1**	290-354	D-HANDLE CONTROL, ELECTRIC W/PLUG (DEADMAN CONTROL HANDLE)
	290-349	PADDLE HANDLE CONTROL, ELECTRIC W/PLUG (DEADMAN CONTROL HANDLE)
2	10-354	MALE TWIST-LOCK CONNECTOR, 2 PRONG
3	10-352	FEMALE TWIST-LOCK CONNECTOR, 2 PRONG
4	888-2025-10001PB	TOGGLE SWITCH GUARD
5	888-2025-10002PB	ABRA CUTOFF SWITCH (ELEC)
6	290-725	CORD W/CONNECTORS & ABRASIVE CUTOFF SWITCH ASSEMBLY, 110', 3-PRONG / 2-PRONG, 3-WIRE, FOR E-SERIES BLASTERS
7	888-7109-301PB	ELECTRIC CONNECTOR, MALE, TWIST-LOCK, 3 PRONG
8	888-7109-300PB	ELECTRIC CONNECTOR, FEMALE, TWIST-LOCK, 3 PRONG
9	888-7172-012PB	POWER CORD, 25' 12VDC, 2-LUG
10	290-530	JUNCTION CROSS ASSEMBLY, E-SERIES ABRASIVE CUT-OFF, 12VDC (DOES NOT INCLUDE COIL)
11	517-096	COIL, REPLACEMENT, 12VDC (FOR 519-032, 519-012 & 519-013)
12	219-012	SOLENOID VALVE, 3-WAY, 2 POSITION, 12VDC, 1/4" NPT PORTS, 1/2" NPT CONDUIT (NORMALLY CLOSED)
13	519-013	SOLENOID VALVE, 3-WAY, 2 POSITION, 12VDC, 1/4" NPT PORTS, 1/2" NPT CONDUIT (NORMALLY OPEN)
14	517-086	COIL, REPLACEMENT, 120VAC (FOR 519-042)
15	519-042	SOLENOID VALVE, 3-WAY 2 POSITION, 120VAC W/CORD (NORMALLY CLOSED)

** See "Control Handle Parts Lists" Section for detailed parts list.



PIPE STRING PARTS LISTS

EPH SERIES - Pneumatic Abrasive Cut-Off Controls



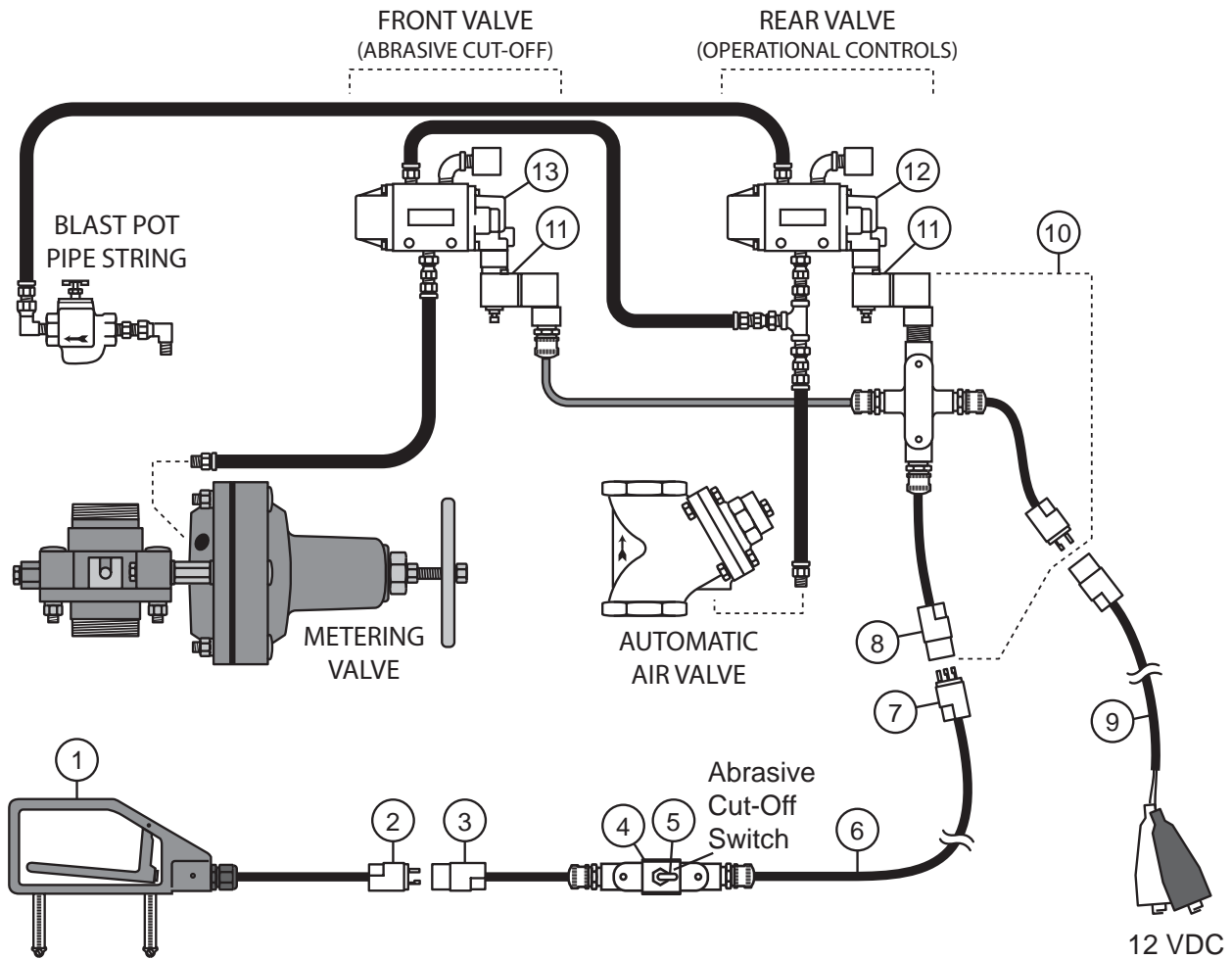
1**	290-164	D-HANDLE CONTROL, PNEUMATIC (DEADMAN CONTROL HANDLE)
	290-166	PADDLE HANDLE CONTROL, PNEUMATIC (DEADMAN CONTROL HANDLE)
2	888-2014-300PB	VENT, 1/8"
3	888-2025-10001PB	TOGGLE SWITCH GUARD
4	107-6580	VALVE, CONTRACTOR, ACS 3-WAY MANUAL, 1/8"
5	290-425	55' SINGLELINE ABRASIVE CUT-OFF CONTROL HOSE ASSEMBLY FOR E-SERIES BLASTERS
	290-625	110' SINGLELINE ABRASIVE CUT-OFF CONTROL HOSE ASSEMBLY FOR E-SERIES BLASTERS
6	200-055E	HOSE, TWINLINE CONTROL, ASSEMBLY, E-SERIES, YEL/YEL W/BLACK STRIPE, NOMINAL 3/16" ID x 55', W/ UNIONS
	200-110E	HOSE, TWINLINE CONTROL, ASSEMBLY, E-SERIES, YEL/YEL W/BLACK STRIPE, NOMINAL 3/16" ID x 110', W/ UNIONS

** See "Control Handle Parts Lists" Section for detailed parts list.



PIPE STRING PARTS LISTS

EPH SERIES - Electric Abrasive Cut-Off Controls

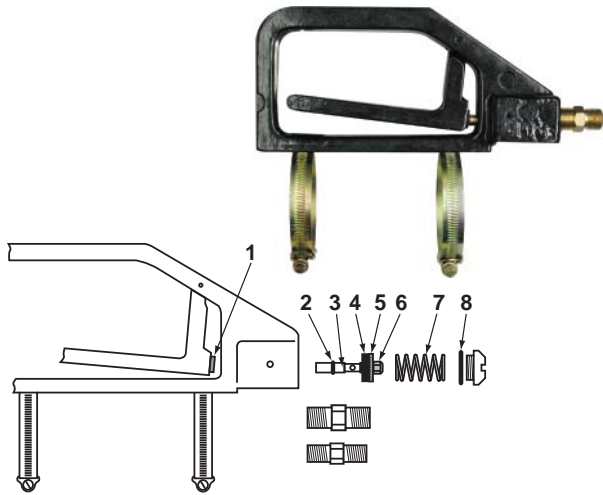


1**	290-354	D-HANDLE CONTROL, ELECTRIC W/PLUG (DEADMAN CONTROL HANDLE)
	290-349	PADDLE HANDLE CONTROL, ELECTRIC W/PLUG (DEADMAN CONTROL HANDLE)
2	10-354	MALE TWIST-LOCK CONNECTOR, 2 PRONG
3	10-352	FEMALE TWIST-LOCK CONNECTOR, 2 PRONG
4	888-2025-10001PB	TOGGLE SWITCH GUARD
5	888-2025-10002PB	ABRA CUTOFF SWITCH (ELEC)
6	290-525	CORD W/CONNECTORS & ABRASIVE CUTOFF SWITCH ASSEMBLY, 55', 3-PRONG / 2-PRONG, 3-WIRE, FOR E-SERIES BLASTERS
6	290-725	CORD W/CONNECTORS & ABRASIVE CUTOFF SWITCH ASSEMBLY, 110', 3-PRONG / 2-PRONG, 3-WIRE, FOR E-SERIES BLASTERS
7	888-7109-301PB	ELECTRIC CONNECTOR, MALE, TWIST-LOCK, 3 PRONG
8	888-7109-300PB	ELECTRIC CONNECTOR, FEMALE, TWIST-LOCK, 3 PRONG
9	888-7172-012PB	POWER CORD, 25' 12VDC, 2-LUG
10	290-530	JUNCTION CROSS ASSEMBLY, E-SERIES ABRASIVE CUT-OFF, 12VDC (DOES NOT INCLUDE COIL)
11	517-096	COIL, REPLACEMENT, 12VDC (FOR 519-032, 519-012 & 519-013)
12	219-012	SOLENOID VALVE, 3-WAY, 2 POSITION, 12VDC, 1/4" NPT PORTS, 1/2" NPT CONDUIT (NORMALLY CLOSED)
13	519-013	SOLENOID VALVE, 3-WAY, 2 POSITION, 12VDC, 1/4" NPT PORTS, 1/2" NPT CONDUIT (NORMALLY OPEN)

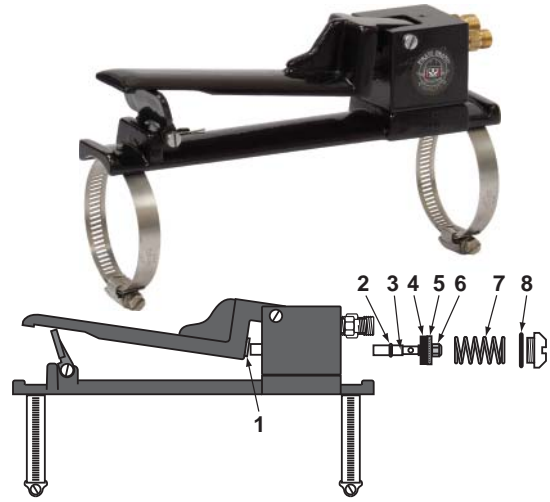
** See "Control Handle Parts Lists" Section for detailed parts list.



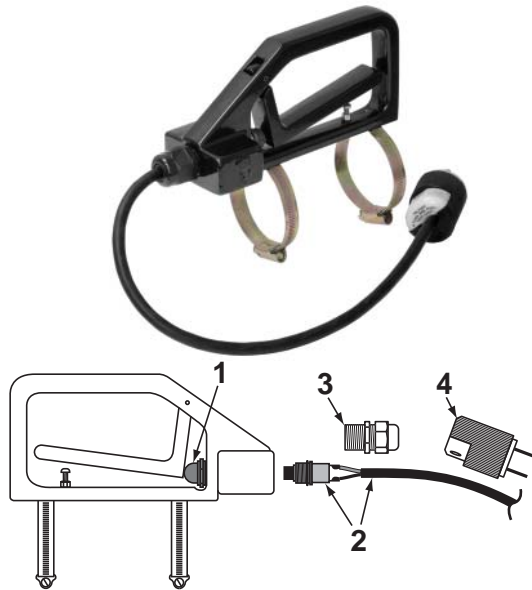
CONTROL HANDLE PARTS LISTS



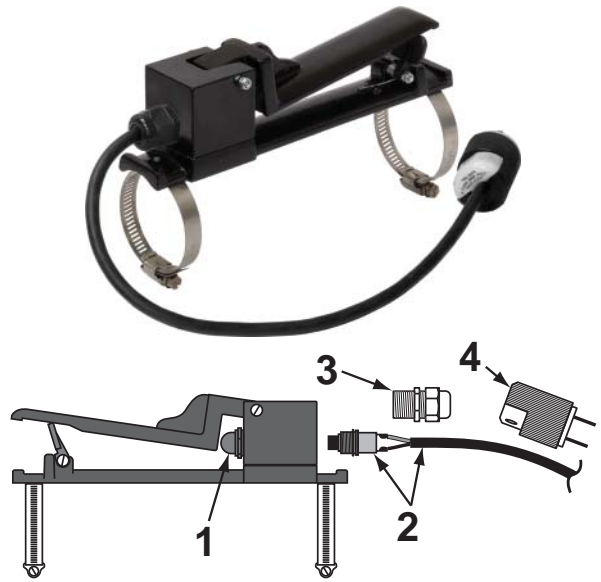
D-HANDLE PNEUMATIC CONTROL (NOT FOR USE WITH STEEL ABRASIVES)	
290-164	D-HANDLE CONTROL, PNEUMATIC
290-224	D-HANDLE / PADDLE HANDLE SERVICE KIT, INCLUDES # 2, 3, 4, 5, 6 & 7
290-225	D-HANDLE / PADDLE HANDLE SERVICE KIT, INCLUDES # 2, 3, 4, 5, 6 & 7



PADDLE PNEUMATIC CONTROL HANDLE (NOT FOR USE WITH STEEL ABRASIVES)	
290-166	PADDLE HANDLE CONTROL, PNEUMATIC
290-224	D-HANDLE / PADDLE HANDLE SERVICE KIT, INCLUDES # 2, 3, 4, 5, 6 & 7
290-225	D-HANDLE / PADDLE HANDLE SERVICE KIT, INCLUDES # 2, 3, 4, 5, 6 & 7



D-HANDLE ELECTRIC CONTROL	
	290-354 D-HANDLE CONTROL, ELECTRIC W/PLUG
1	534-541 BOOT, PUSH BUTTON
2	534-531 SWITCH, PUSH BUTTON ASSY
3	888-7117-504PB STRAIN RELIEF FITTING
4	10-354 MALE TWIST-LOCK CONNECTOR, 2 PRONG
*	PB-31131 1/2" 3 PART SEALED CONTROL CORD CONNECTOR (REQUIRED WHEN USING STEEL ABRASIVES)



PADDLE ELECTRIC CONTROL HANDLE	
	290-349 PADDLE HANDLE CONTROL, ELECTRIC W/PLUG
1	534-541 BOOT, PUSH BUTTON
2	534-531 SWITCH, PUSH BUTTON ASSY
3	888-7117-504PB STRAIN RELIEF FITTING
4	10-354 MALE TWIST-LOCK CONNECTOR, 2 PRONG
*	PB-31131 1/2" 3 PART SEALED CONTROL CORD CONNECTOR (REQUIRED WHEN USING STEEL ABRASIVES)



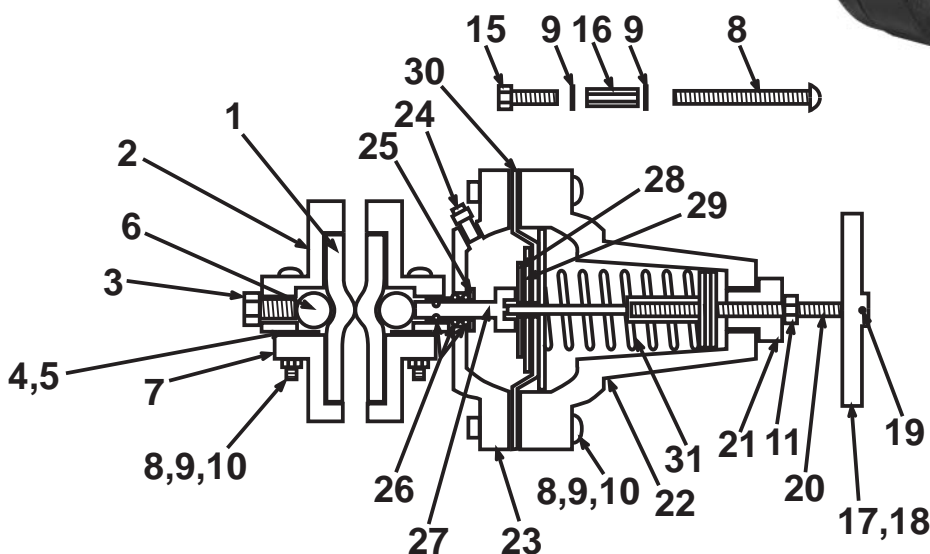
VALVE PARTS LISTS

(METERING VALVES)

FEATURING THE



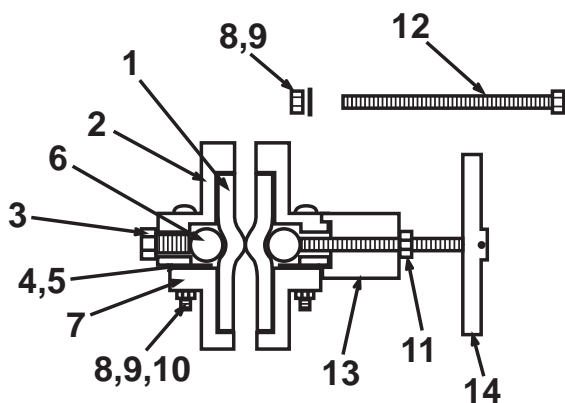
Pinch Valve - Automatic		
	290-215	VALVE, PINCH, AUTOMATIC (INCLUDES: X-TREME TUBE)
1	523-592	TUBE, METERING, X-TREME , 3/4" I.D.
6	753-632	ROLLER, PINCH (2 REQUIRED)
31	290-296	SPRING ASSEMBLY, COMPLETE



! DANGER: Never disassemble the Automatic Metering Valve spring assembly as it is under compression. Always replace the spring/diaphragm assembly as a complete unit. Failure to do so can cause components to come apart violently injuring people.

Pinch Valve - Manual		
	290-383	VALVE, PINCH, MANUAL (INCLUDES: X-TREME TUBE)
1	523-592	TUBE, METERING, X-TREME , 3/4" I.D.
6	753-632	ROLLER, PINCH (2 REQUIRED)

FEATURING THE

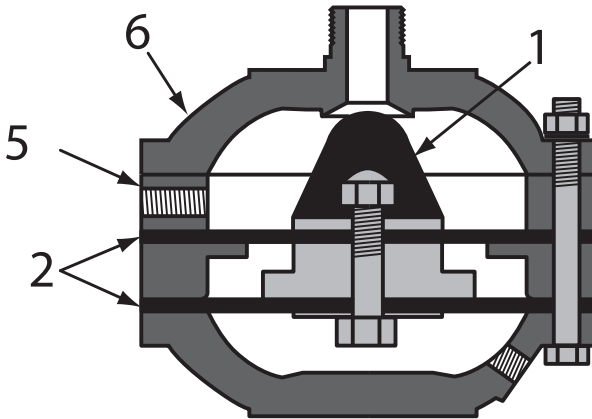




VALVE PARTS LISTS

(EXHAUST VALVES)

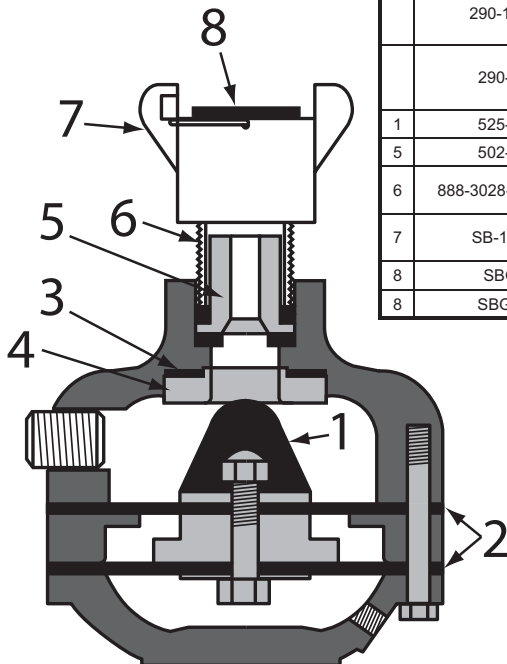
EXHAUST VALVE #2	
	290-181 VALVE, EXHAUST, #2 (INCLUDES: X-TREME DUTY BALL)
	290-183 VALVE, EXHAUST, #8 & #2, REPAIR KIT, INCLUDES # 1, (2)2, 3, & 4 (INCLUDES: X-TREME DUTY BALL)
1	525-322 VALVE BALL, X-TREME DUTY
5	753-722 EXHAUST RING
6	753-442 INLET COVER



FEATURING THE



EXHAUST VALVE #8 (W/ COUPLING)	
	290-182-R VALVE, EXHAUST, #8 W/ 5/16" BORON NOZZLE & ALUMINUM COUPLING (INCLUDES: X-TREME DUTY BALL)
	290-183 VALVE, EXHAUST, #8 & #2, REPAIR KIT, INCLUDES # 1, (2)2, 3, & 4 (INCLUDES: X-TREME DUTY BALL)
1	525-322 VALVE BALL, X-TREME DUTY
5	502-081 NOZZLE, BORON CARBIDE, 5/16"
6	888-3028-10799PB NIPPLE, TBE, SCHEDULE 80, GALV, 1-1/4" x CLOSE
7	SB-1S-AL THRD CPLG, STD NPS, ALUMINUM, 1-1/4", 150 PSI MAX
8	SBG-1 GASKET, STANDARD
8	SBG-1U GASKET, URETHANE, STANDARD



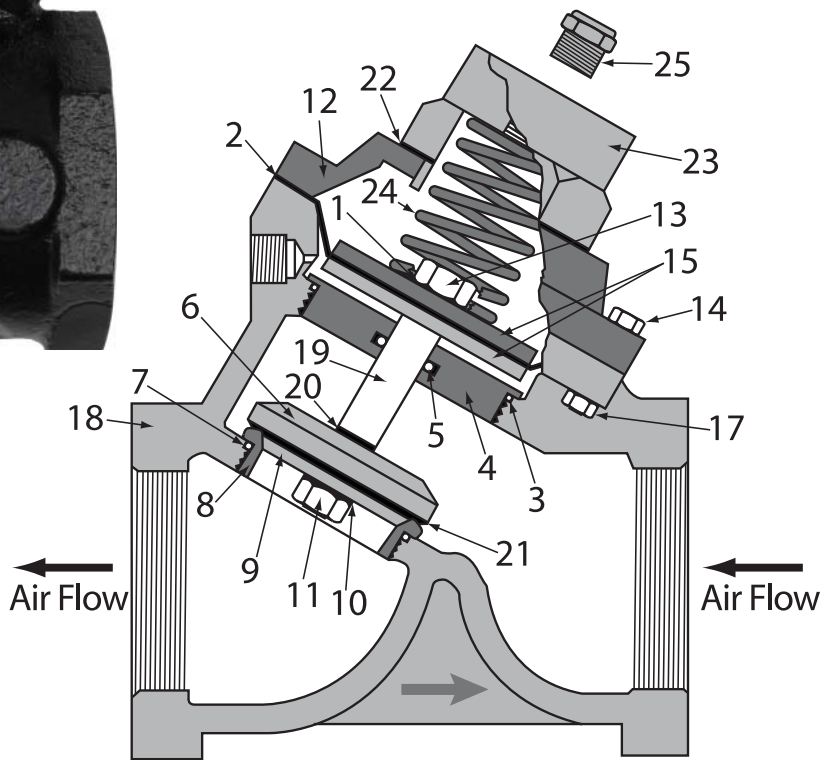
FEATURING THE





VALVE PARTS LISTS

(AUTOMATIC AIR VALVES)




1" Auto Air Valve	
888-2123-106PB	VALVE, AUTO AIR, 1", (NORMALLY CLOSED)
888-2123-00699PB	VALVE, AUTO AIR, 1/2", 3/4" & 1", REPAIR KIT INCLUDES # 1, 2, 3, 5, 7, 11, 13, 20 & 21
24 888-2123-10624PB	VALVE, AUTO AIR, 1/2", 3/4" & 1", SPRING
25 888-2014-300PB	VENT, 1/8"


1-1/4" Auto Air Valve	
888-2123-107PB	VALVE, AUTO AIR, 1-1/4", (NORMALLY CLOSED)
888-2123-00799PB	VALVE, AUTO AIR, 1-1/4" & 1-1/2", REPAIR KIT INCLUDES # 1, 2, 3, 5, 7, 11, 13, 20 & 21
24 888-2123-10724PB	VALVE, AUTO AIR, 1-1/4" & 1-1/2", SPRING
25 888-2014-300PB	VENT, 1/8"



BLASTING SET-UP

AIR HOSE	
10-034RED-050-1	3/4" AIR HOSE ASSEMBLY, 50'
10-100RED-025-1	1" AIR HOSE ASSEMBLY, 25'
10-100RED-050-1	1" AIR HOSE ASSEMBLY, 50'
10-112RED-025-1	1-1/2" AIR HOSE ASSEMBLY, 25'
10-112RED-050-1	1-1/2" AIR HOSE ASSEMBLY, 50'
27WT-1	SAFETY CABLE, 1/2" - 1" HOSE TO EQUIP.
27WC-1	SAFETY CABLE, 1/2" - 1" HOSE TO HOSE.
27WT-2	SAFETY CABLE, 1-1/2" - 3" HOSE TO EQUIP.
27WC-2	SAFETY CABLE, 1-1/2" - 3" HOSE TO HOSE.



BLAST HOSE	
Nozzles Not Included	
10-034BLK-050-3AL	3/4" BLAST HOSE ASSEMBLY, 50', INCLUDES NOZZLE HOLDER
10-100BLK-050-3AL	1" BLAST HOSE ASSEMBLY, 50', INCLUDES NOZZLE HOLDER
10-114BLK-050-3AL	1-1/4" BLAST HOSE ASSEMBLY, 50', INCLUDES NOZZLE HOLDER
10-034BLK-050-4AL	3/4" EXTENSION HOSE ASSEMBLY, 50'
10-100BLK-050-4AL	1" EXTENSION HOSE ASSEMBLY, 50'
10-114BLK-050-4AL	1-1/4" EXTENSION HOSE ASSEMBLY, 50'
27WT-1	SAFETY CABLE, 1/2" - 1" HOSE TO EQUIP.
27WC-1	SAFETY CABLE, 1/2" - 1" HOSE TO HOSE.
27WC-15	SAFETY CABLE, 1-1/4" HOSE TO HOSE.
27WT-2	SAFETY CABLE, 1-1/4" - 3" HOSE TO EQUIP.



BLASTING SET-UP



NOZZLES

1" ENTRY NOZZLES FOR USE WITH 3/4" BLAST HOSE	
1201-1172	#3 TUNGSTEN CARBIDE NOZZLE
1201-1173	#4 TUNGSTEN CARBIDE NOZZLE
1" ENTRY NOZZLES FOR USE WITH 1" BLAST HOSE	
1201-1173	#4 TUNGSTEN CARBIDE NOZZLE
1201-1174	#5 TUNGSTEN CARBIDE NOZZLE
1201-1175	#6 TUNGSTEN CARBIDE NOZZLE
1-1/4" ENTRY NOZZLES FOR USE WITH 1-1/4" BLAST HOSE	
1348-555	#5 TUNGSTEN CARBIDE NOZZLE
1348-556	#6 TUNGSTEN CARBIDE NOZZLE
1348-557	#7 TUNGSTEN CARBIDE NOZZLE
1348-558	#8 TUNGSTEN CARBIDE NOZZLE



AIR DRYERS

888-1310-021PB	AIR DRYER ADPB-250 CFM @ 100 PSIG OR 359 CFM @ 150 PSIG
888-1310-041PB	AIR DRYER ADPB-400 CFM @ 100 PSIG OR 574 CFM @ 150 PSIG
888-1310-071PB	AIR DRYER ADPB-750/950, 800 CFM @ 100 PSIG OR 1149 CFM @ 150 PSIG
888-1310-121PB	AIR DRYER ADPB-1200 CFM @ 100 PSIG OR 1723 CFM @ 150 PSIG
888-1310-161PB	AIR DRYER ADPB-1600 CFM @ 100 PSIG OR 2297 CFM @ 150 PSIG



BREATHING EQUIPMENT

NV3-702-50-PFC	RPB NOVA 3™ RESPIRATOR PACKAGE
407000-PFC	NOVA 2000™ RESPIRATOR PACKAGE
407800-PFC	ASTRO™ RESPIRATOR PACKAGE
407001	COOL TUBE
407024	HOT TUBE
407200	RADEX™ CO MONITOR (120V)
407201	RADEX™ CO MONITOR (12V)

RESPIRATOR PACKAGES INCLUDE RESPIRATOR HELMET, 50' BREATHING AIR SUPPLY HOSE, AND RADEX™ AIRLINE FILTER.



BLAST SUITS / GLOVES

122-9140	BLAST SUIT, LIGHTWEIGHT, MEDIUM
122-9150	BLAST SUIT, LIGHTWEIGHT, LARGE
122-9160	BLAST SUIT, LIGHTWEIGHT, XL
122-9170	BLAST SUIT, LIGHTWEIGHT, XXL
122-9180	BLAST SUIT, LIGHTWEIGHT, XXXL
407701	LUXURY DOUBLE PALMED LEATHER BLASTING/WELDING GLOVES



AVAILABLE ACCESSORIES





☠ AVAILABLE ACCESSORIES ☠

A LIDS

LIDS ARE IMPORTANT FOR KEEPING MOISTURE FROM FALLING INTO THE ABRASIVE BLASTER IN OUTDOOR APPLICATIONS. MOISTURE IN THE ABRASIVE BLASTER CAN CAUSE OBSTRUCTIONS IN THE METERING VALVE LEADING TO COSTLY DOWN-TIME.

888-5010-030PB	LID FOR 3.5 CU FT ABRASIVE BLASTERS
888-5010-060PB	LID FOR 6.5 CU FT ABRASIVE BLASTERS

B REGULATOR KITS

ADDING A REGULATOR KIT TO YOUR ABRASIVE BLASTER WILL ALLOW YOU TO BLAST AT LOWER PRESSURES TO ACHIEVE CUSTOM FINISHES OR HELP CONTROL PROFILE (EPR BLAST ROOM SERIES BLASTERS INCLUDE REGULATORS AS STANDARD EQUIPMENT)

888-2003-006PB-CI	1" REGULATOR KIT (3.5 CU FT)
888-2003-007PB-CI	1-1/4" REGULATOR KIT (6.5 CU FT)

C RELIEF VALVE KIT

ADDING THIS ASME RELIEF VALVE KIT TO YOUR BLASTER CAN PREVENT DANGEROUS OVERPRESSURIZATION. LOCAL CODES MAY REQUIRE A DIFFERENT VALVE

888-2470-00702PB	SMALL BLASTER RELIEF VALVE KIT
------------------	--------------------------------

POWER SUPPLY

ADD A POWER SUPPLY TO RUN ANY 12VDC ELECTRIC BLASTER ON COMMON 120VAC OUTLET POWER. POWERS UP TO 4 CONTROL VALVES AT ONE TIME.

PB-SMP3WP-K	POWER SUPPLY 120AC INPUT/12VDC @ 2.5 AMP OUTPUT - 2 LUG
-------------	---



BIG-GUN™ BLAST HOSE & NOZZLES



High Performance Blasting For #7 and Larger Nozzles



BIG-GUN™ HOSES

10-114BLK-050-3XAL	1-1/4" BLAST HOSE ASSEMBLY, BIG GUN FULL FLOW, W/ COUPLINGS (INCLUDES): (50') BLACK BLAST HOSE, (1) ALUMINUM FULL PORT QUICK COUPLER & (1) ALUMINUM NOZZLE HOLDER
10-114BLK-050-4XAL	1-1/4" BLAST HOSE EXTENSION ASSEMBLY, BIG GUN FULL FLOW W/ COUPLINGS (INCLUDES): (50') BLACK BLAST HOSE & (2) ALUMINUM FULL PORT QUICK COUPLERS

BIG-GUN™ NOZZLES

888-5001-305PB	#5 BIG GUN TUNGSTEN CARBIDE NOZZLE
888-5001-306PB	#6 BIG GUN TUNGSTEN CARBIDE NOZZLE
888-5001-307PB	#7 BIG GUN TUNGSTEN CARBIDE NOZZLE
888-5001-308PB	#8 BIG GUN TUNGSTEN CARBIDE NOZZLE
888-5001-310PB	#10 BIG GUN TUNGSTEN CARBIDE NOZZLE

COUPLINGS

FULL PORT COUPLINGS ARE REQUIRED TO CONNECT BIG-GUN BLAST HOSE TO YOUR E-SERIES BLASTER

SB-3X-AL	1-1/2" ALUMINUM FULL PORT QUICK COUPLING
888-3026-10807PB	BUSHING, GALV, 1-1/2" x 1-1/4"

D UMBRELLA

FOR STATIONARY BLASTERS WHERE ABRASIVE IS BEING FED FROM AN OVERHEAD SYSTEM THE UMBRELLA WILL KEEP EXCESS WEIGHT OFF OF THE POP-UP ALLOWING IT TO FUNCTION PROPERLY. **REQUIRES REMOVAL OF THE BUILT-IN BAG BREAKER AND SCREEN.** (EPR & EPH BLAST ROOM SERIES BLASTERS INCLUDE THE UMBRELLA AS STANDARD EQUIPMENT)

290-420	6" POP UP VALVE UMBRELLA
---------	--------------------------

SCREENS

FOR BLASTERS EQUIPPED WITH AN ABRASIVE UMBRELLA, USE THESE SCREENS TO KEEP DEBRIS FROM ENTERING THE PRESSURE VESSEL. **ONLY USED WITH E-SERIES BLASTERS WHERE THE BAG BREAKER HAS BEEN REMOVED.**

888-5011-030PB	SCREEN FOR 3.5 CU FT E-SERIES ABRASIVE BLASTERS
888-5011-060PB	SCREEN FOR 6.5 CU FT E-SERIES ABRASIVE BLASTERS

JOB TIMER

KEEP TRACK OF TIME SPENT ON A JOB AND TOTAL HOURS ON YOUR ABRASIVE BLASTER. KNOW YOUR COST, CONTROL YOUR COST & SET UP A PREVENTATIVE MAINTENANCE PROGRAM FOR YOUR BLAST EQUIPMENT.

PB-9805023P-01	DUAL TIMER CONTROL BOX W/ KEY RESET & MOUNTING BRACKET
----------------	--

ABRASIVE CUT-OFF

UPGRADE WITH AN ABRASIVE CUT-OFF KIT TO BLOW OFF YOUR PROJECTS WITH THE SAME HIGH VELOCITY AIR YOU BLAST WITH. (REQUIRES E-SERIES BLASTER WITH AUTOMATIC PINCH METERING VALVE)

290-413-CI	55' PNEUMATIC ABRASIVE CUT-OFF KIT (CUSTOMER INSTALL)
290-613-CI	110' PNEUMATIC ABRASIVE CUT-OFF KIT (CUSTOMER INSTALL)
290-513-CI	55' 12VDC ELECTRIC ABRASIVE CUT-OFF KIT (CUSTOMER INSTALL)
290-713-CI	110' 12VDC ELECTRIC ABRASIVE CUT-OFF KIT (CUSTOMER INSTALL)



BLASTING CHARTS

Nozzle Air, Power & Abrasive Requirements

NOZZLE # ORIFICE SIZE	NOZZLE AIR, POWER & ABRASIVE REQUIREMENTS		NOZZLE PRESSURE							
			50 PSI	60 PSI	70 PSI	80 PSI	90 PSI	100 PSI	125 PSI	140 PSI
			(3.45 BAR)	(4.14 BAR)	(4.83 BAR)	(5.52 BAR)	(6.21 BAR)	(6.89 BAR)	(8.62 BAR)	(9.65 BAR)
#2 1/8 inch (3.2 mm)	AIR	(cu ft/min)	12	13	15	18	19	21	26	
		(cu m/min)	0.34	.037	0.42	0.51	0.54	0.59	0.74	
	HORSEPOWER	(hp)	1.75	2	2.5	3	3.5	4	6	
		(kW)	1.30	1.49	1.86	2.24	2.61	2.98	4.47	
	ABRASIVE	(lb/hr)	70	80	90	100	110	120	135	
		(kg/hr)	32	36	41	45	50	54	61	
#3 3/16 inch (4.8 mm)	AIR	(cu ft/min)	25	30	35	40	43	45	60	
		(cu m/min)	0.71	0.85	0.99	1.13	1.22	1.27	1.70	
	HORSEPOWER	(hp)	5	8	9	9.5	10	10.5	16	
		(kW)	3.75	5.97	6.71	7.08	7.46	7.86	11.93	
	ABRASIVE	(lb/hr)	150	170	200	215	240	260	320	
		(kg/hr)	68	77	91	98	109	118	145	
#4 1/4 inch (6.35 mm)	AIR	(cu ft/min)	50	55	60	70	75	80	95	
		(cu m/min)	1.42	1.56	1.70	1.98	2.12	2.27	2.69	
	HORSEPOWER	(hp)	10	12	13	16	17	18	25	
		(kW)	7.46	8.95	9.69	11.93	12.68	13.42	18.64	
	ABRASIVE	(lb/hr)	270	300	350	400	450	500	675	
		(kg/hr)	122	136	159	181	204	227	306	
#5 5/16 inch (8 mm)	AIR	(cu ft/min)	80	90	100	115	125	140	190	230
		(cu m/min)	2.27	2.55	2.83	3.26	3.54	3.96	5.38	6.51
	HORSEPOWER	(hp)	17	20	25	27	28	30	36	60
		(kW)	12.68	14.91	18.64	20.13	20.88	22.37	26.85	44.85
	ABRASIVE	(lb/hr)	470	530	600	675	750	825	1000	1125
		(kg/hr)	213	240	272	306	340	374	454	510
#6 3/8 inch (9.5 mm)	AIR	(cu ft/min)	110	125	145	160	175	200	275	315
		(cu m/min)	3.12	3.54	4.11	4.53	4.96	5.66	7.79	8.91
	HORSEPOWER	(hp)	25	29	32	35	40	45	57	65
		(kW)	18.64	21.63	23.86	26.10	29.83	33.56	42.50	48.59
	ABRASIVE	(lb/hr)	675	775	875	975	1060	1100	1350	1840
		(kg/hr)	306	352	397	442	481	499	612	835
#7 7/16 inch (9.5 mm)	AIR	(cu ft/min)	150	170	200	215	240	255	315	405
		(cu m/min)	4.25	4.81	5.66	6.09	6.80	7.22	8.92	11.46
	HORSEPOWER	(hp)	35	40	45	50	55	60	70	90
		(kW)	26.10	29.83	33.56	37.28	41.01	44.74	52.20	67.28
	ABRASIVE	(lb/hr)	900	1000	1200	1300	1400	1510	1800	2540
		(kg/hr)	408	454	544	590	635	703	816	1152
#8 1/2 inch (12.7 mm)	AIR	(cu ft/min)	200	225	250	275	300	340	430	540
		(cu m/min)	5.66	6.37	7.08	7.79	8.50	9.63	12.18	15.28
	HORSEPOWER	(hp)	45	50	55	63	70	75	95	120
		(kW)	33.56	37.28	41.01	46.98	52.20	55.93	70.84	89.70
	ABRASIVE	(lb/hr)	1200	1350	1500	1700	1850	2025	2525	3240
		(kg/hr)	544	612	680	771	839	919	1145	1470
#10 5/8 inch (16 mm)	AIR	(cu ft/min)	300	350	400	450	500	550	700	880
		(cu m/min)	8.50	9.91	11.33	12.74	14.16	15.58	19.82	24.90
	HORSEPOWER	(hp)	70	80	90	100	110	120	150	190
		(kW)	52.20	59.66	67.11	74.57	82.03	89.48	111.85	142.02
	ABRASIVE	(lb/hr)	1900	2200	2400	2700	3000	3300	4000	5200
		(kg/hr)	862	998	1089	1225	1361	1497	1814	2359
#12 3/4 inch (19 mm)	AIR	(cu ft/min)	430	500	575	650	700	800	1100	1255
		(cu m/min)	12.18	14.16	16.28	18.41	19.82	22.66	31.15	35.52
	HORSEPOWER	(hp)	100	115	130	145	160	175	215	245
		(kW)	74.57	85.76	96.94	108.13	119.31	130.50	160.33	183.13
	ABRASIVE	(lb/hr)	2700	3100	3500	3900	4300	4700	5700	7375
		(kg/hr)	1225	1406	1588	1769	1950	2132	2586	3345

This table is to be used as reference only. Actual results may vary depending on specific abrasive medium used. This table is based on abrasive with a bulk density of 100 pounds per cubic foot.